



& Tool Storage & Tool Modules





TOOL CABINETS & TOOL CHESTS

TOOL KITS IN ROLLER CABINETS

Tool System Solutions from RS for Garages, Factories and Workshops

Our revised program consists of various combinations of tools for users in different industries, presented in roller cabinets with the highest build quality. All the tools in the system are offered in double colour EVA modules, each tool has its unique 3D cutout slot for a comfortable and snug fit. This system helps inventory control by the detection of missing tools at a glance, contributing to your overall economy and efficiency. All the mechanical hand tools in the system are guaranteed against defects in material and production.

RS PLUS



RS Tool Modules

Increased efficiency in workshops, missing tools can be identified at a glance thanks to the two colour design.

3 dimensional cut outs for each tool for a comfortable, snug fit

Finger spaces for easy removal of tools

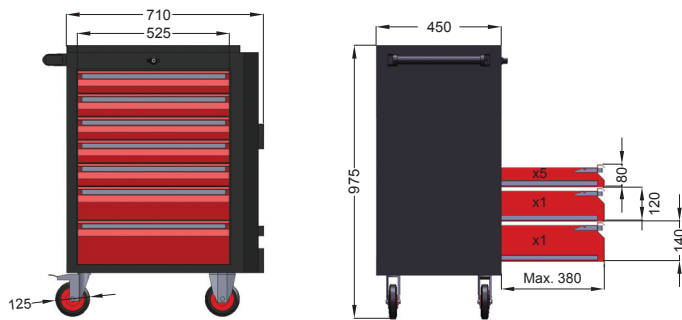
Chemically resistant high quality EVA material



Easy identification of missing tools

8335900 7 Drawer RS PLUS

- Sturdy and dependable construction, premium quality sheet steel.
- Elegant and durable electrostatic matt powder coated, scratch proof.
- 7 fully extendible drawers – compatible with tool modules inlays
- Each drawer can accommodate 3 EVA tool modules
- Smart-Lock™ system on every drawer preventing accidental opening while the cabinet is on the move.
- Low friction telescopic ball bearing slides ensuring silk smooth operation.
- Central locking mechanism.
- Heavy duty oil proof rubber wheels, two fixed and two swivelling, one with an emergency brake.
- Holders for spray cans and paper rolls.
- Recessed worktop with a high quality mat to ensure a convenient working area.



CODE NO	HxWxD / mm	kg
8335900	975 x 710 x 450	66.4



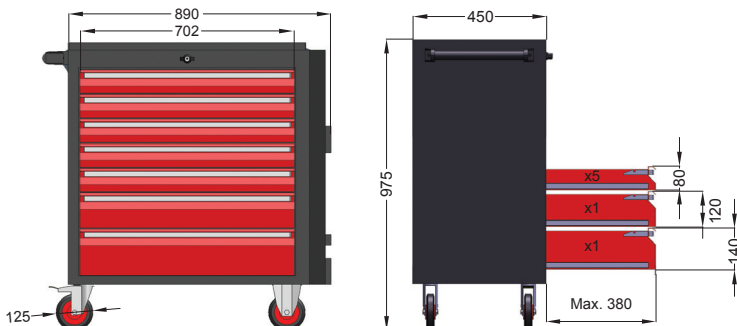
RS PLUS



7 drawers

8335903 7 Drawer RS PLUS Jumbo

- Sturdy and dependable construction, premium quality sheet steel.
- Elegant and durable electrostatic matt powder coated, scratch proof.
- 7 fully extendible drawers – compatible with tool modules inlays
- Each drawer can accommodate 4 EVA tool modules
- Smart-Lock™ system on every drawer preventing accidental opening while the cabinet is on the move.
- Low friction telescopic ball bearing slides ensuring silk smooth operation.
- Central locking mechanism.
- Holders for spray cans and paper rolls.
- Recessed worktop with a high quality mat to ensure a convenient working area.



CODE NO	HxWxD / mm	kg
8335903	975 x 890 x 450	72.5



RS PLUS

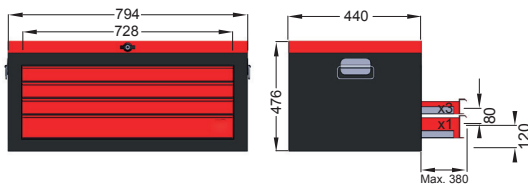


7 drawers
XL Dimensions

8335907

4 Drawer Chest Jumbo

- Sturdy and dependable construction, premium quality sheet steel.
- Elegant and durable electrostatic matt powder coated, scratch proof.
- 4 drawers - compatible with tool modules inlays.
- Each drawer can accommodate 4 EVA tool modules.
- 80 mm deep top locker with integrated locking mechanism
- Low friction telescopic ball bearing slides ensuring silk smooth operation.
- Integrated carrying handles.



RS PLUS



4 drawers

CODE NO	HxWxD / mm	kg
8335907	476 x 794 x 440	20

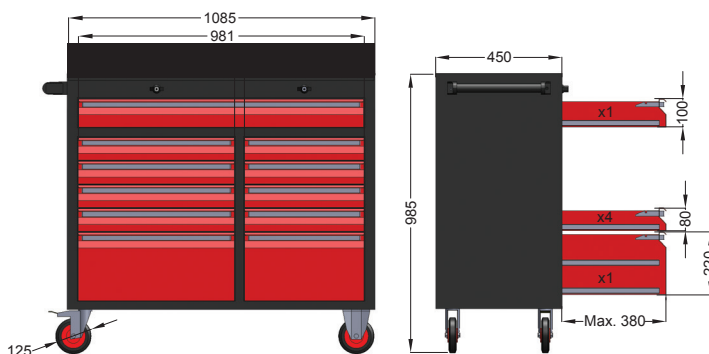
8335916

11 Drawer Cabinet

- Sturdy and dependable construction, premium quality sheet steel.
- Elegant and durable electrostatic matt powder coated, scratch proof.
- 11 fully extendible drawers – 5 of which are compatible with tool modules inlays.
- Each drawer on the left can accommodate 3 EVA tool modules.
- Low friction telescopic ball bearing slides ensuring silk smooth operation.
Bottom drawer with double slides.
- Foamed rubber mats in drawer bases.
- Central locking mechanism. No possibility of key match.
- Smart-Lock™ system on every drawer preventing accidental opening while the cabinet is on the move.
- Recessed worktop with a high quality mat to ensure a convenient working area.



RS PLUS



11 drawers

CODE NO	HxWxD / mm	kg
8335916	985 x 1085 x 450	90



TOOL CABINETS & TOOL CHESTS

- Heavy Duty Tool Cabinets
- Standard Duty Tool Cabinets
- Maintenance Cart
- Mobile Tool Cupboard
- Service Cart



- Recessed worktop

- Central locking system

- Low friction telescopic ball bearing slides; fully accessible drawers.

- Heavy duty oil proof rubber wheels (2 fixed and 2 swivelling, 1 with brake system)



7531573

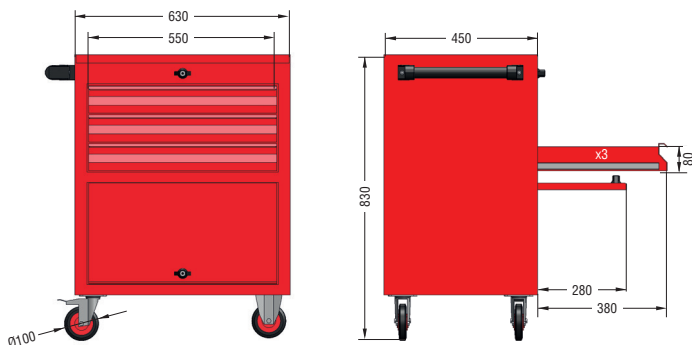
3 Drawer Heavy Duty Tool Cabinet

- Sturdy and dependable construction, premium quality sheet steel. Elegant and durable electrostatic matt powder coated, scratch proof.
- 3 fully extendable drawers
- Each drawer can accommodate 3 EVA tool modules.
- Low friction telescopic ball bearing slides ensuring silk smooth operation.
- Central locking mechanism.
- 100 diameter, 2 locking swivel castors and 2 fixed castors



3 drawers

Heavy Duty



CODE NO	HxWxD / mm	kg
7531573	830 x 630 x 450	39.30

7531576

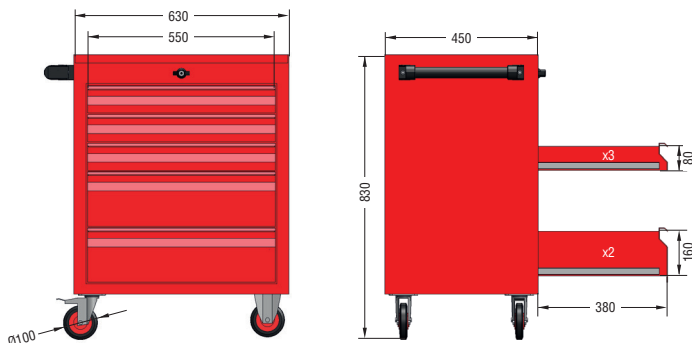
5 Drawer Heavy Duty Tool Cabinet

- Sturdy and dependable construction, premium quality sheet steel. Elegant and durable electrostatic matt powder coated, scratch proof.
- 5 fully extendable drawers
- Each drawer can accommodate 3 EVA tool modules.
- Low friction telescopic ball bearing slides ensuring silk smooth operation.
- Central locking mechanism.
- 100 diameter, 2 locking swivel castors and 2 fixed castors



5 drawers

Heavy Duty

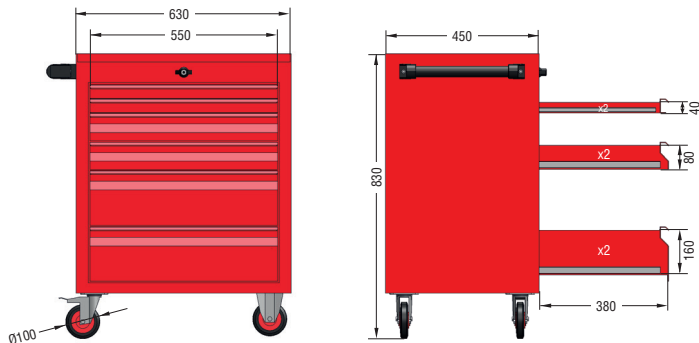


CODE NO	HxWxD / mm	kg
7531576	830 x 630 x 450	45.65

7531570 6 Drawer Heavy Duty Tool Cabinet

- Sturdy and dependable construction, premium quality sheet steel. Elegant and durable electrostatic matt powder coated, scratch proof.
- 6 fully extendable drawers
- Each drawer can accommodate 3 EVA tool modules.
- Low friction telescopic ball bearing slides ensuring silk smooth operation.
- Central locking mechanism.
- 100 diameter, 2 locking swivel castors and 2 fixed castors

Heavy Duty



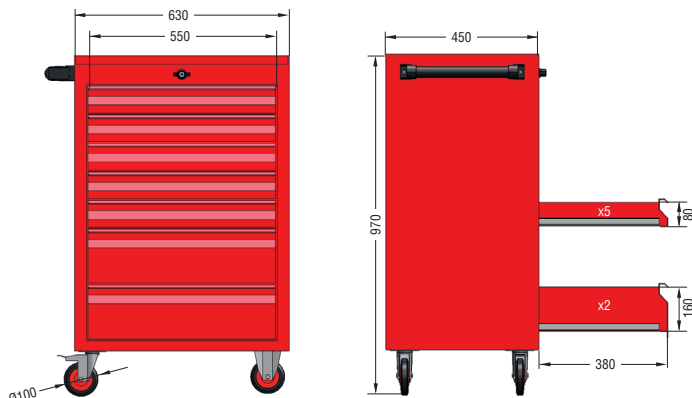
6 drawers

CODE NO	HxWxD / mm	kg
7531570	830 x 630 x 450	47.70

7531589 7 Drawer Heavy Duty Tool Cabinet

- Sturdy and dependable construction, premium quality sheet steel. Elegant and durable electrostatic matt powder coated, scratch proof.
- 7 fully extendable drawers
- Each drawer can accommodate 3 EVA tool modules.
- Low friction telescopic ball bearing slides ensuring silk smooth operation.
- Central locking mechanism.
- 100 diameter, 2 locking swivel castors and 2 fixed castors

Heavy Duty



7 drawers

CODE NO	HxWxD / mm	kg
7531589	970 x 630 x 450	58.90

7531582

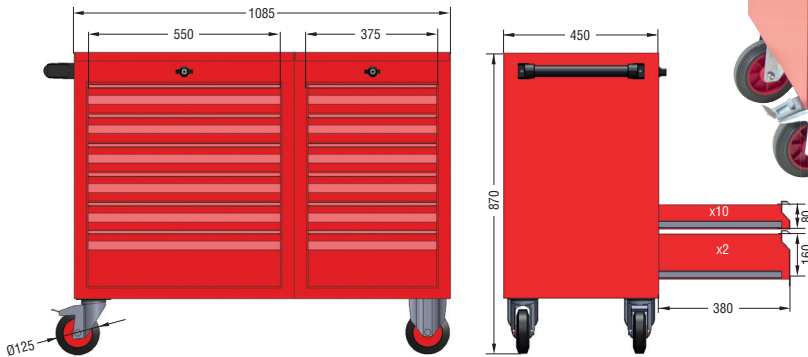
12 Drawer Maintenance Cart

- Sturdy and dependable construction, premium quality sheet steel. Elegant and durable electrostatic matt powder coated, scratch proof.
- 12 fully extendible drawers
- Each drawer on the left can accommodate 3 EVA tool modules.
- Low friction telescopic ball bearing slides ensuring silk smooth operation.
- Central locking mechanism.
- 125 diameter, 2 locking swivel castors and 2 fixed castors



12 drawers

Heavy Duty

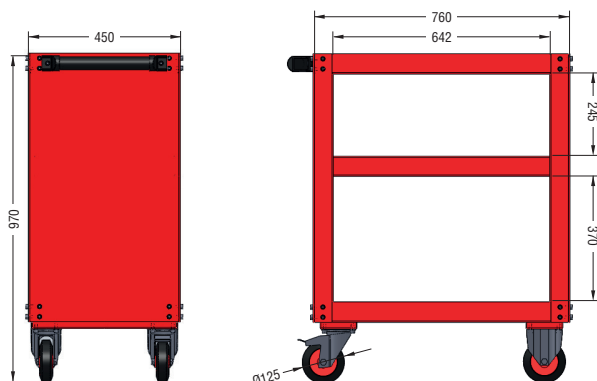


CODE NO	HxWxD / mm	kg
7531582	870x1085x450	87.75

7531592

Service Cart

- Sturdy and dependable construction, premium quality sheet steel. Elegant and durable electrostatic matt powder coated, scratch proof.
- Base, middle and bottom shelves with edges to contain tools.
- 125 diameter, 2 locking swivel castors and 2 fixed castors



CODE NO	HxWxD / mm	kg
7531592	970 x 760 x 450	31.60



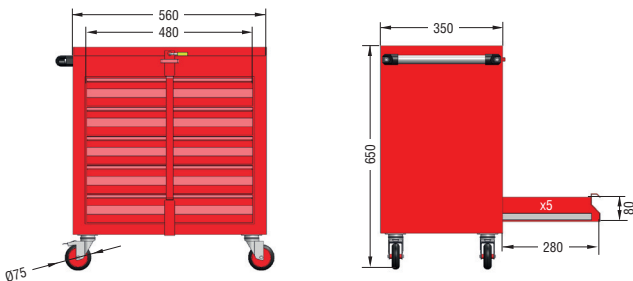
TOOL CABINETS & TOOL CHESTS

7531586

5 Drawer Standard Duty Tool Cabinet

- Sturdy and dependable construction, premium quality sheet steel.
Elegant and durable electrostatic matt powder coated, scratch proof.
- 5 fully extendible drawers
- Low friction telescopic ball bearing slides ensuring silk smooth operation.
- Padlock locking mechanism.
- 75 diameter, 2 locking swivel castors and 2 fixed castors

Standard Duty



5 drawers

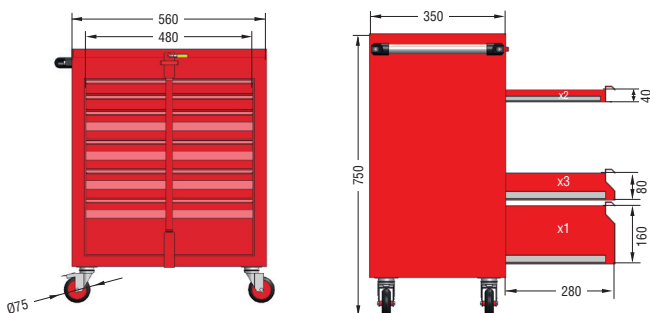
CODE NO	HxWxD / mm	kg
7531586	650 x 560 x 350	28.65

7531595

6 Drawer Standard Duty Tool Cabinet

- Sturdy and dependable construction, premium quality sheet steel.
Elegant and durable electrostatic matt powder coated, scratch proof.
- 6 fully extendible drawers
- Low friction telescopic ball bearing slides ensuring silk smooth operation.
- Padlock locking mechanism.
- 75 diameter, 2 locking swivel castors and 2 fixed castors

Standard Duty

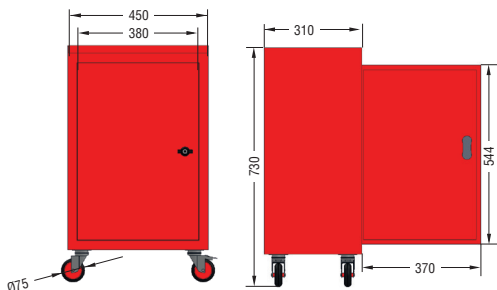


6 drawers

CODE NO	HxWxD / mm	kg
7531595	750 x 560 x 350	33.45

7531598 Mobile Tool Cupboard

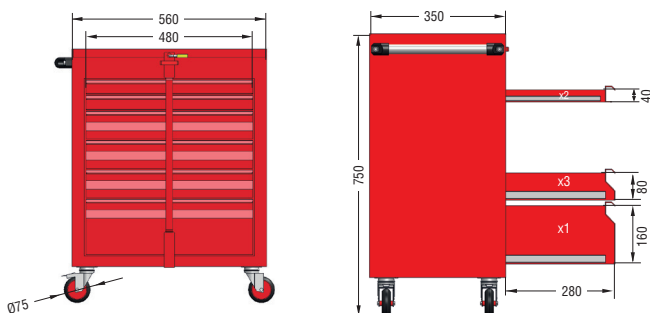
- Sturdy and dependable construction, premium quality sheet steel.
Elegant and durable electrostatic matt powder coated, scratch proof.
- Locking mechanism.
- 75 diameter, 2 locking swivel castors and 2 fixed castors



CODE NO	HxWxD / mm	kg
7531598	730 x 450 x 310	11.95

7531595 6 Drawer Standard Duty Tool Cabinet

- Sturdy and dependable construction, premium quality sheet steel.
Elegant and durable electrostatic matt powder coated, scratch proof.
- 6 fully extendible drawers
- Low friction telescopic ball bearing slides ensuring silk smooth operation.
- Padlock locking mechanism.
- 75 diameter, 2 locking swivel castors and 2 fixed castors

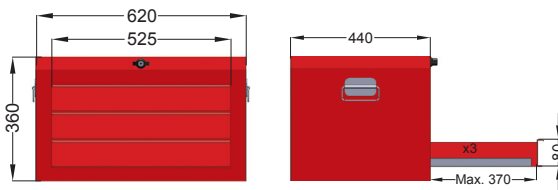


6 drawers

CODE NO	HxWxD / mm	kg
7531595	750 x 560 x 350	33.45

7681678 3 Drawer Tool Chest

- Sturdy and dependable construction, premium quality sheet steel.
- Elegant and durable electrostatic matt powder coated, scratch proof.
- Easily fits onto RS PLUS and RS series roller cabinets. Especially recommended to increase the stocking capacity of these roller cabinets.
- 3 drawers - compatible with tool modules inlays.
- Each drawer can accommodate 3 EVA tool modules.
- 80 mm deep top locker with integrated locking mechanism
- Low friction telescopic ball bearing slides ensuring silk smooth operation.
- Integrated carrying handles.



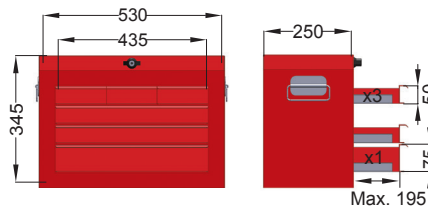
CODE NO	HxWxD / mm	kg
7681678	360 x 620 x 440	20



3 drawers

7681671 6 Drawer Tool Chest

- Sturdy and dependable construction, premium quality sheet steel.
- Elegant and durable electrostatic matt powder coated, scratch proof.
- 3 small drawers on the top row.
- 80 mm deep top locker.
- Low friction telescopic ball bearing slides ensuring silk smooth operation.
- Integrated carrying handles.



CODE NO	HxWxD / mm	kg
7681671	345 x 530 x 250	18



6 drawers

8335988 19" Plastic Tool Box

- Compact dimensions with highest possible storage capacity.
- Two organizers on top with lids.
- Telescoping design carry handle.
- Removable tote tray.
- Sturdy plastic latches.
- Padlock clasp (padlock not supplied)
- Industrial quality tools



CODE NO	HxWxD / mm	kg
8335988	494 x 263 x 250	1.9



TOOL BOX & ASSORTMENTS

8335975
31pc Tool Kit

- The perfect tool kit for professional electricians in the industry and trade
- Industrial quality tools



CODE NO	HxWxD / mm	kg
8335975	494 x 263 x 250	5.7



8335979
43pc Tool Kit

- The perfect tool kit for professional mechanics in the industry and trade
- Industrial quality tools



CODE NO	HxWxD / mm	kg
8335975	494 x 263 x 250	6.9



RS TOOL MODULES

SIZE: 370 mm x 175 mm x 35 mm

8335913

15pc T-Handle & Ballpoint L Hex Key Set

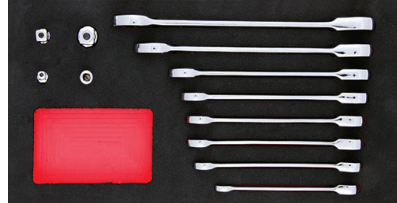


K10 (2.0, 2.5, 3.0, 4.0, 5.0, 6.0 mm) C-PLUS T-Handle Hexagon Keys
LT/900 (1.5, 2, 2.5, 3, 4, 5, 6, 8, 10 mm) Ball End Hexagon L Key Set

CODE NO	PIECES	PRICE/€
8335913	15	

8335925

12pc Ratcheting Combination Wrench Set

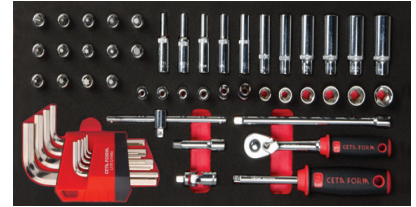


B05 (8, 10, 11, 12, 13, 14, 17, 19 mm) C-GEAR Ratcheting Combination Wrenches (Straight)
B05-14S (1/4"- 10 mm), **B05-38S** (3/8"- 13 mm),
B05-12S (1/2"- 19 mm) C-GEAR Socket Adaptors,
B05-14B (1/4"- 10 mm) C-GEAR Bit Adaptor

CODE NO	PIECES	PRICE/€
8335925	12	

8335935

52pc 1/4" Drive Socket and Hex Key Set

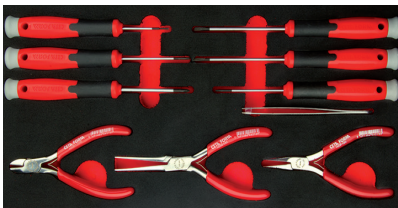


C01-12 1/4" Drive Quick Release Reversible Ratchet
C01-20 1/4" Drive Spinner Handle
C01-80 1/4" Drive Universal Joint
C01-40 1/4" Drive Sliding T-Handle (115 mm)
C01-70 1/4" Drive Extension Bar (50, 150 mm)
C02-H (4, 4.5, 5, 5.5, 6, 7, 8, 9, 10, 11, 12, 13 mm) 1/4" 6-Point Socket
C04-H (4, 5, 5.5, 6, 7, 8, 9, 10, 11, 12, 13 mm) 1/4" 6-Point Deep Socket
C08-T (T10, T15, T20, T25, T30, T40) 1/4" Drive TORX Socket Bits
C08-H (3.0, 4.0, 5.0, 6.0, 8.0) 1/4" Drive Hexagon Socket Bits
C08-S (5.5 mm) 1/4" Drive Slotted Socket Bits
C08-PH (PH2) 1/4" Drive Phillips Socket Bits
C08-PZ (PZ2) 1/4" Drive Pozidriv Socket Bits
LT/9 (1.5, 2, 2.5, 3, 4, 5, 6, 8, 10 mm) 9 Piece Hexagon L Key Set (Short Arm-Matt Chrome)

CODE NO	PIECES	PRICE/€
8335935	52	

8335919

10pc Precision Plier and Screwdriver Set



H30S-110SB Electronics Diagonal Cutter (Oval Head-Standard)
H33S-120 Electronics Short Needle Nose Pliers (Toothed Gripping Surface)
H35S-140 Electronics Long Needle Nose Pliers
H01 (1.5 x 60, 2.0 x 60, 2.5 x 80, 3.0 x 80 mm) Electronics Slotted Screwdrivers
H02 (PH00 x 60, PH0 x 60 mm) Electronics Phillips Screwdrivers
H41-06-0115 Tweezer (Stainless Steel)

CODE NO	PIECES	PRICE/€
8335919	10	

8335929

4pc Circlip Pliers Set



E65-44-0180 180 mm External Circlip Pliers (Straight-with Spring)
E66-44-0180 180 mm External Circlip Pliers (Bent-with Spring)
E67-44-0180 180 mm Internal Circlip Pliers (Straight-without Spring)
E68-44-0180 180 mm Internal Circlip Pliers (Bent-without Spring)

CODE NO	PIECES	PRICE/€
8335929	4	

8335938

3pc Pliers and Adjustable Wrench Set



E30-54-0250 250 mm Water Pump Pliers (Box Joint/PVC Sleeves)
E50-16-0240 240 mm Grip Plier (Curved Jaws)
B21-250B 250 mm Adjustable Wrench (Phosphated-PVC Grip)

CODE NO	PIECES	PRICE/€
8335938	3	

8335922

16 Piece Combination Wrench Set

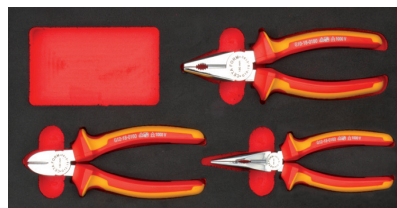


B01 (6, 7, 8, 9, 10, 11, 12, 13, 14, 15, 16, 17, 18, 19, 21, 22 mm) Combination Wrenches

CODE NO	PIECES	PRICE/€
8335922	16	

8335931

3pc VDE Insulated Pliers Set

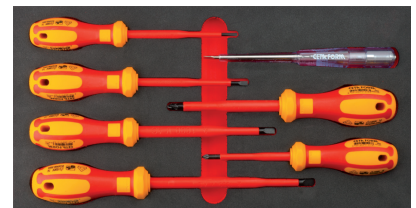


G10-18-0180 180 mm VDE 1000V Insulated Combination Pliers
G12-18-0160 160 mm VDE 1000V Insulated Diagonal Cutter
G15-18-0160 160 mm VDE 1000V Insulated Long Nose Pliers

CODE NO	PIECES	PRICE/€
8335931	3	

8335941

7pc Insulated Slotted/PH Screwdriver Set



G01 (3.0x100, 4.0x100, 5.5x125, 6.5x150 mm) C-PLUS VDE 1000V Insulated Slotted Screwdrivers
G02 (PH1x80, PH2x100 mm) C-PLUS VDE 1000V Insulated Phillips Screwdrivers
G106 Voltage Tester (VDE Approved-Long)

CODE NO	PIECES	PRICE/€
8335941	7	

8335944 6pc Measuring and Cutting Tool Set



- G40-48** (145 mm) Multi-Purpose Electrician's Shears
- J06-250** (250 mm) English Pattern Snip
- J45-07** Utility Knife (18 mm-Metal Body)
- P05-0519** (5 m x 19 mm) Compact Tape Measure
- P15-030** (30 cm) Stainless Steel Rule
- P54-20S** Feeler Gauge (20 Leaves - Metric)

CODE NO	PIECES	PRICE/€
8335944	6	

8335953 11pc Standard and Needle File Set



- J55-108H** Hand File - Bastard, 200 mm
- J56-108H** Half Round File - Bastard, 200 mm
- J57-108H** Round File - Bastard, 200 mm
- J58-108H** Square File - Bastard, 200 mm
- J59-108H** Three Square File - Bastard, 200 mm
- J75-R06** Needle File Set:
Flat File (7.3x1.8x160 mm), Hand File (7.3x1.8x160 mm),
Three Square File (3.4x160 mm), Round File (Ø 4.0x160 mm),
Square File (5.0x160 mm), Half Round File (7.3x2.6x160 mm)

CODE NO	PIECES	PRICE/€
8335953	11	

8335966 2pc Climber and Stripper Set



- E25-AT1** 1/4" Drive Reversible Ratchet
- E69-YT1** Automatic Wire Stripper

CODE NO	PIECES	PRICE/€
8335966	2	

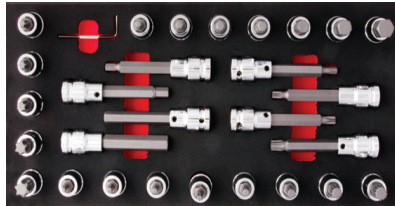
8335947 39pc Slotted/PZ Screwdriver and Bit Set



- F10** (3.0x75, 4.0x100, 5.5x125, 6.5x150 mm) C-PLUS Slotted Screwdrivers
- F17** (PZ1x80, PZ2x100 mm) C-PLUS Pozidriv Screwdrivers
- F26/BT** 1/4"x100 mm C-PLUS Bit Driver
- CB/ST31** 31 Piece Bit Set
- 6106** Voltage Tester (VDE Approved-Long)

CODE NO	PIECES	PRICE/€
8335947	39	

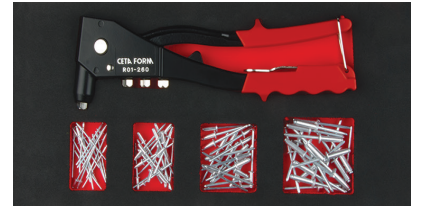
8335957 29pc 1/2" TORX/Hex/XZN Socket Bits Set



- C28S-T** (T20, T25, T30, T40, T45, T50, T55, T60) x 30 mm 1/2" Drive TORX Socket Bits (Replaceable Bit) - Short
- C28S-TL** (T30, T40, T45, T50) x 75 mm 1/2" Drive TORX Socket Bits (Replaceable Bit) - Long
- C28S-H** (5, 6, 7, 8, 10, 12, 14 mm) x 30 mm 1/2" Drive Hexagon Socket Bits (Replaceable Bit) - Short
- C28S-HL** (6, 8, 10, 12 mm) x 75 mm 1/2" Drive Hexagon Socket Bits (Replaceable Bit) - Long
- C28S-X** (M05, M06, M08, M10, M12) x 30 mm 1/2" Drive XZN Socket Bits (Replaceable Bit) - Short
- L** (2.5 mm) Hexagon L Key (Short Arm)

CODE NO	PIECES	PRICE/€
8335957	29	

8335969 5pc Hand Riveter Set



- R01-260** Hand Riveter, 4 x 20 (Ø 2.4 - 3.2 - 4.0 - 4.8 mm) Rivets

CODE NO	PIECES	PRICE/€
8335969	5	

8335950 23pc 1/2" Drive Socket Set with Ratchet



- C21-12** 1/2" Drive Quick Release Reversible Ratchet
- C21-70** 1/2" Drive Extension Bars (125, 250 mm)
- C21-80** 1/2" Drive Universal Joint
- C21-40** 1/2" Drive Sliding T-Handle (250 mm)
- C22-H** (8, 9, 10, 11, 12, 13, 14, 15, 16, 17, 18, 19, 21, 22, 24, 27, 30, 32mm) 1/2" Drive 6-Point Sockets

CODE NO	PIECES	PRICE/€
8335950	23	

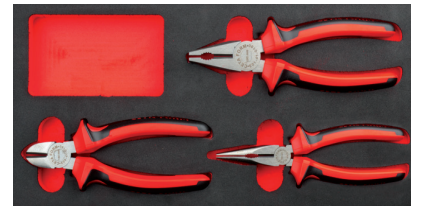
8335963 5 Division EVA Module



This module is especially useful to complete 2 drawer modules to 3 modules, can be used for storage of fasteners such as screws, nuts, washers etc.

CODE NO	PIECES	PRICE/€
8335963	-	

8335972 3pc Softgrip Pliers Set



- E01-41-0180** 180 mm Combination Pliers (Polished Finish/DuoTech Handles)
- E06-41-0160** 160 mm Diagonal Cutter (Polished Finish/DuoTech Handles)
- E15-41-0160** 160 mm Long Nose Pliers (Polished Finish/DuoTech Handles)

CODE NO	PIECES	PRICE/€
8335972	3	

KITS FOR SECTORS

Mechanic

8335922	8335925	8335957	8335950	8335972	8335929	8335947	8335913

Maintenance

8335922	8335972	8335938	8335966	8335947	8335953	8335944	8335969

Electrician

8335925	8335935	8335966	8335931	8335941	8335919	8335944	8335913

General Purpose

8335922	8335935	8335950	8335972	8335938	8335947	8335953	8335913

