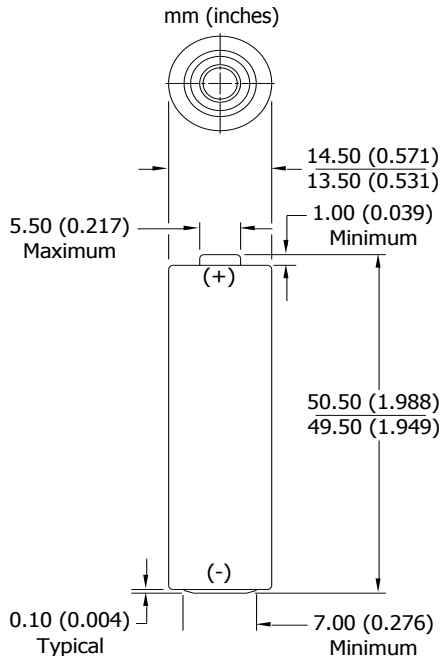


MAX PLUS EP91

AA



Industry Standard Dimensions

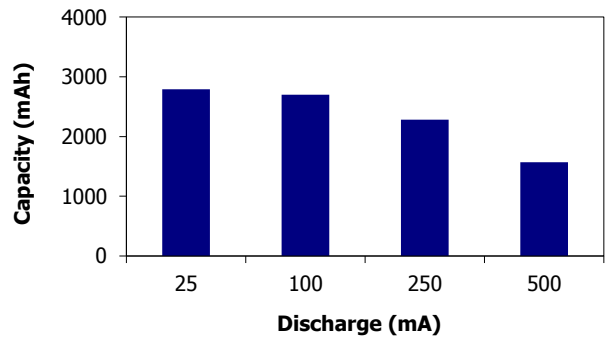


Specifications

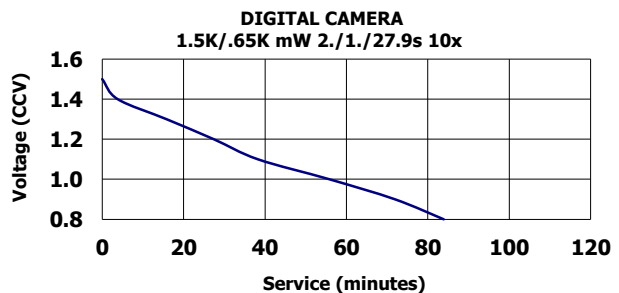
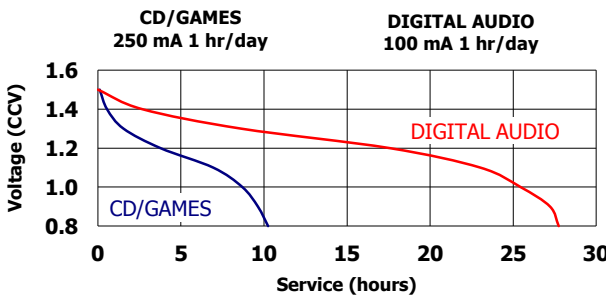
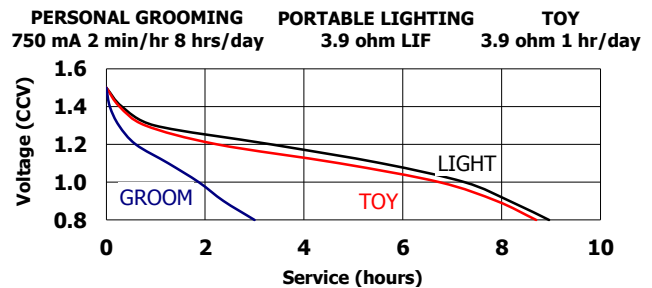
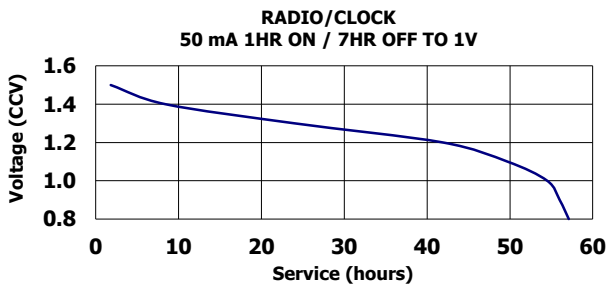
| | |
|-------------------------|--|
| Classification: | Alkaline |
| Chemical System: | Zinc-Manganese Dioxide (Zn/MnO ₂) No added mercury or cadmium |
| Designation: | ANSI-15A, IEC-LR6 |
| Nominal Voltage: | 1.5 volts |
| Nominal IR: | 150 to 300 milliohms (fresh) |
| Operating Temp: | -18°C to 55°C (0°F to 130°F) |
| Typical Weight: | 23.0 grams (0.8 oz.) |
| Typical Volume: | 8.1 cubic centimeters (0.5 cubic inch) |
| Jacket: | Plastic Label |
| Shelf Life: | 12 years at 21°C |
| Terminal: | Flat Contact |

Milliamp-Hours Capacity

Continuous discharge to 0.8 volts at 21°C



Industry Standard Tests (21°C)



Important Notice

This datasheet contains typical information specific to products manufactured at the time of its publication.
Contents herein do not constitute a warranty and are for reference only.