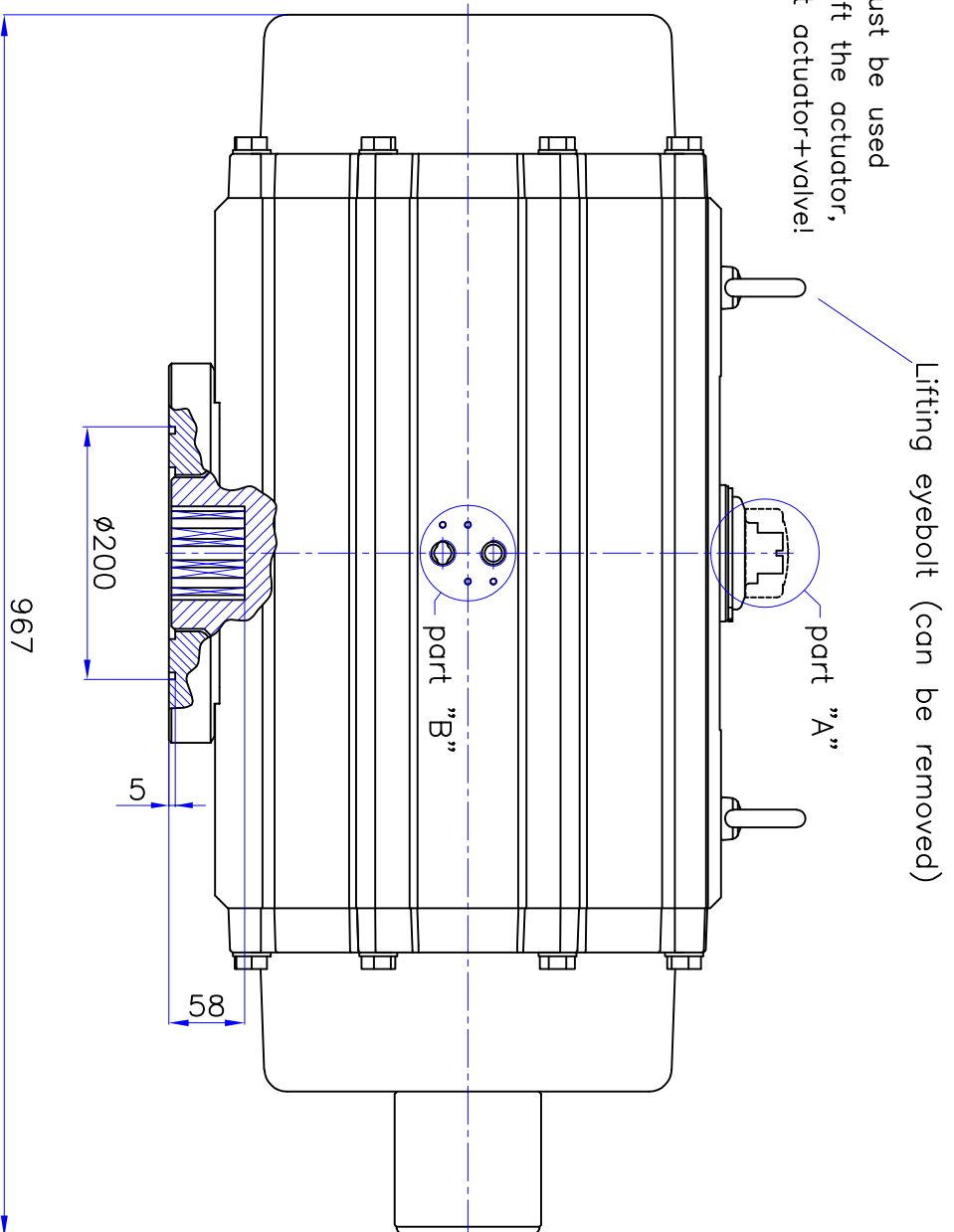
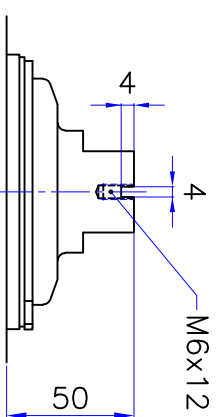


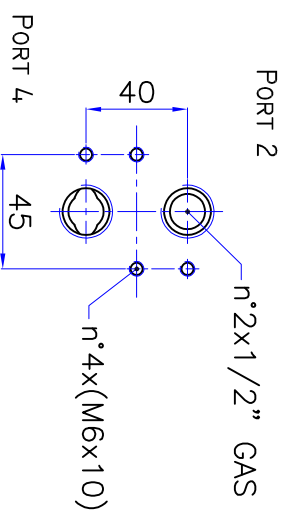
ATTENTION:
 Eyebolt must be used
 ONLY to lift the actuator,
 NOT to lift actuator+valve!



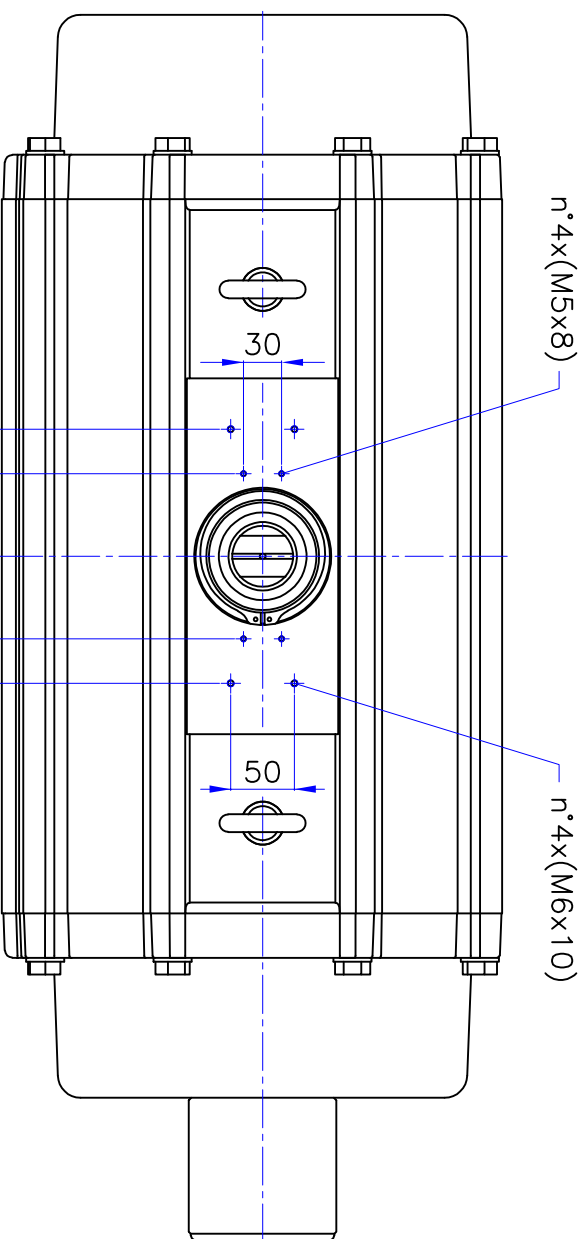
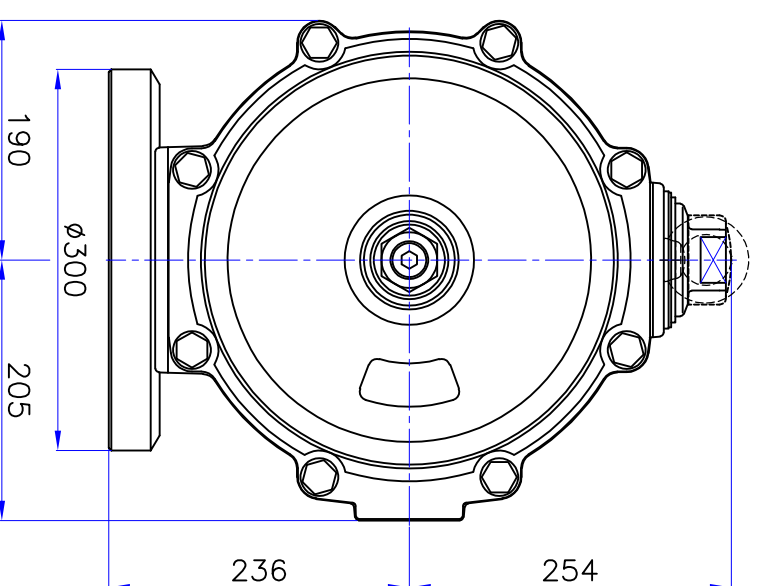
Lifting eyebolt (can be removed)



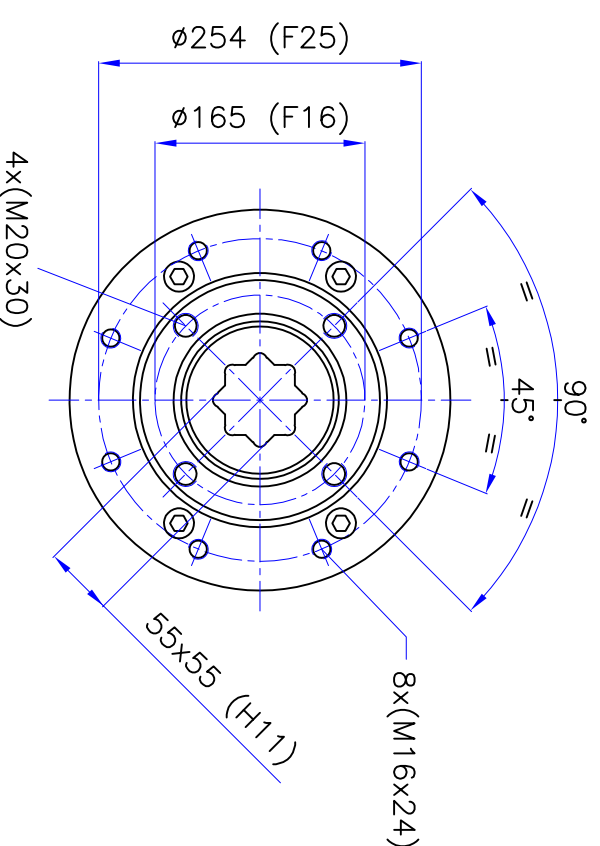
Part "A" scale 1:2
 Accessories connection
 according to:
 VDI/VDE 3845
 UNI EN 15714-3



Part "B" scale 1:2
 Interface for directly
 attached solenoid valve
 according to:
 VDI/VDE 3845
 UNI EN 15714-3



Flange accessories connection
 according to:
 VDI/VDE 3845
 UNI EN 15714-3



Flange connection according to UNI EN ISO 5211

SEMILAVORATO / SEMIFINISHED		TOLL. GENERALI / GENERAL TOLERANCE	
MATERIALE / MATERIAL	//	>0 a 6	±0,1
PESO / WEIGHT (kg)		>6 a 30	±0,2
150 for DA / 192 for SR		>30 a 120	±0,3
TATTAMENTI / TREATMENTS	//	>120 a 400	±0,5
		>400	±0,8
SCALA/SCALE	1:4	SALISSI NON QUOTATI RACCORDI BECCHE NOT DIMENS. RADIUS NOT DIMENSIONED	R1
CONTRULLATO / CHK DATA / DATE	Luciani G. 23/07/15	COMPRESSIVO / ASSEMBLY	AP12-APM12 (DA/SR) Polygonal connection
DESIGNATO / DRN	0,5x45	DENOMINAZIONE / DENOMINATION	Disegno d'ingombro
DATA / DATE		DATA / DATE	FRMA/SIGNATURE
CONTRULLATO / CHK DATA / DATE	Luciani G. 23/07/15	DATA / DATE	FRMA/SIGNATURE
GOCCIE / CODE		N° DISGNO / DRAWING N°	032L-P
		L.M.	00