

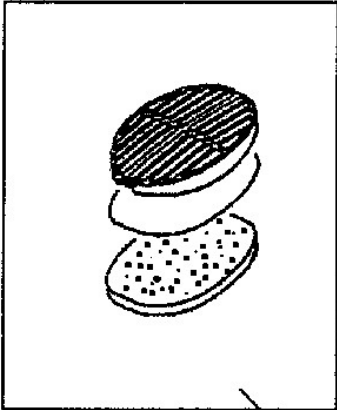
PARTS LIST



2021.11.05

TABLE OF CONTENTS

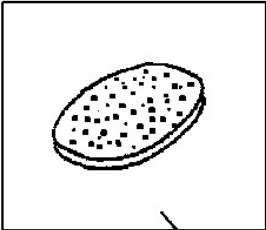
Diffuser, filter.....	1
Upper / lower container, accessories, Dust bag.....	3
Hoses and tubes 32mm.....	5
Nozzles 32mm.....	7
Motor head, all models.....	9
Motor and motor wire, all models.....	11
Cable sets.....	13
Exhaust filters and sound suppressor.....	15



1



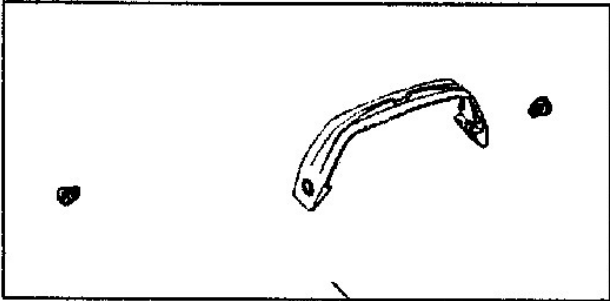
2



10



4



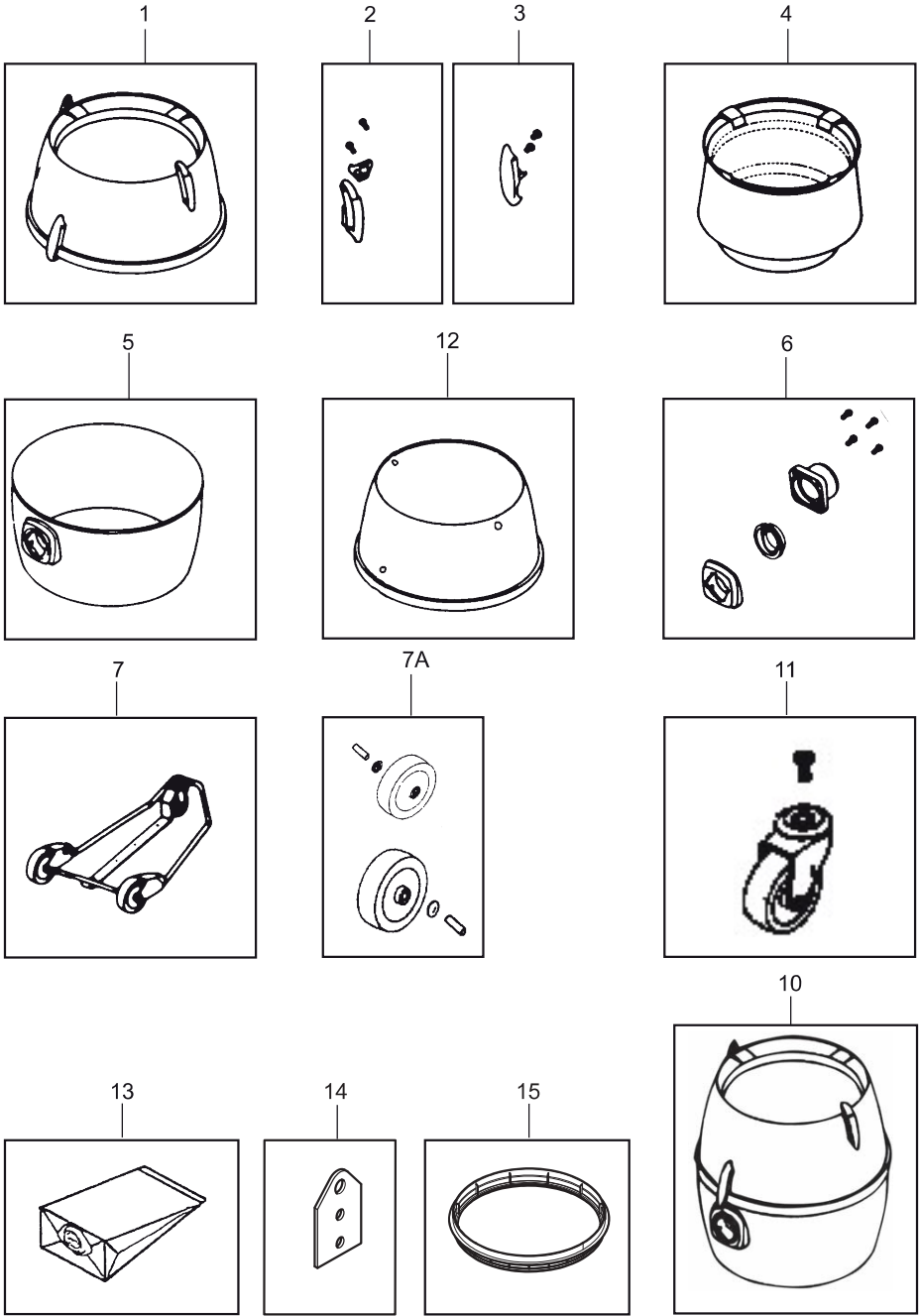
5

Resource notes:

No.	Part No.	Qty.	Description	Part Note
1	21573001	1	EXHAUST WITH DIFFUSER	[1]
1	107401733	1	EXHAUST KIT FOR GM80	[2]
2	11641000	1	MICRO-STATIC FILTER 2 PCS	
2	11693700	1	DIFFUSER FILTERS 2 PCS	
4	11730410	1	MOTOR PROTECTION FILTER	
5	22132000	1	HANDLE COMPLETE	
5	81527801	2	HANDLE LOCKING	[3]
10	82135800	1	NOISE FILTER F. GS/GM MOTOR	

Part Notes:

- [1] - grey color
- [2] - black color
- [3] - FOR FIXING OF THE HANDLE

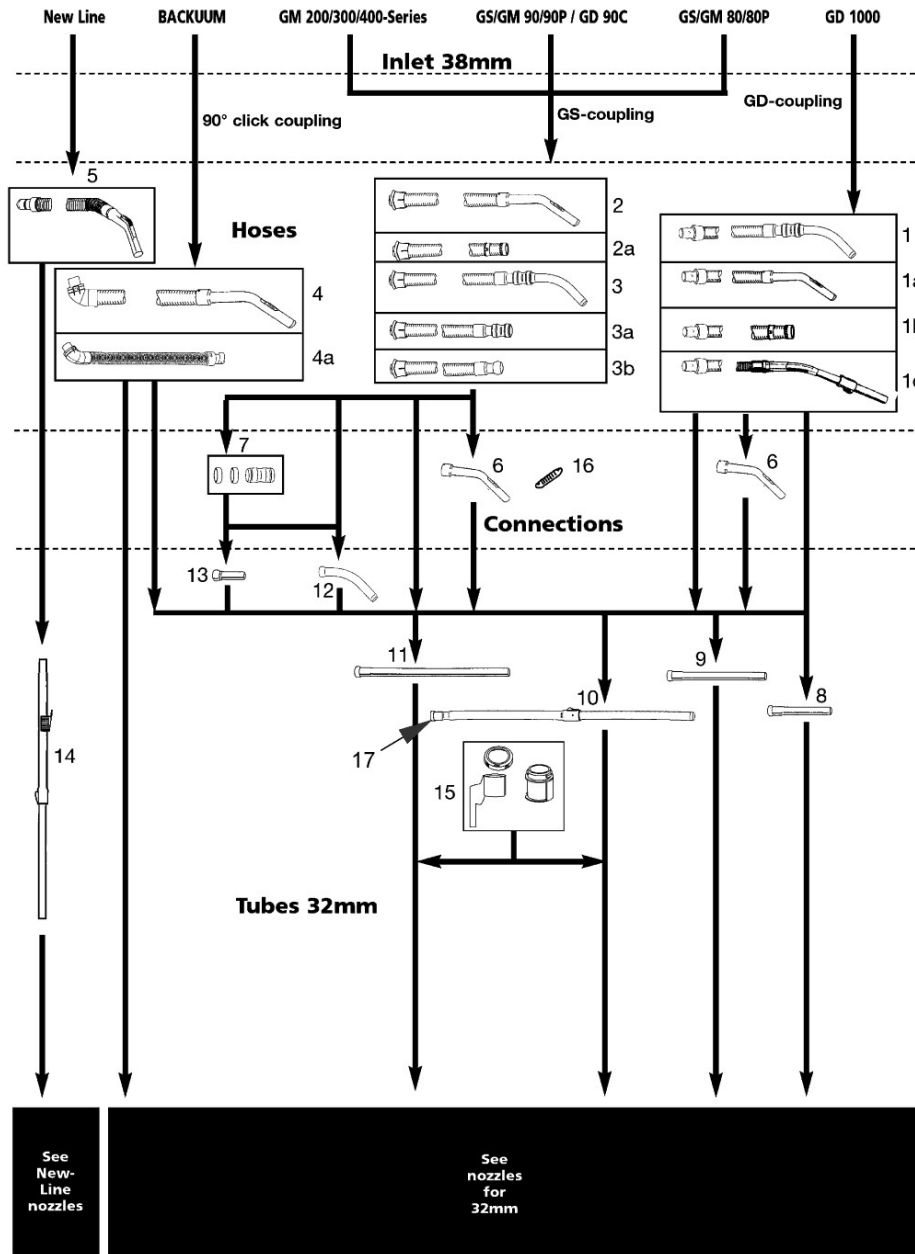


Resource notes:

No.	Part No.	Qty.	Description	Part Note
00	81718001	1	CARTON	
00	107401642	1	TROLLEY KIT FOR GM 80 US	[1]
1	11735311	1	UPPER CONTAINER W/FILTER	
1A	81107600	1	SUPPORT RING GREY GM/GS 80	[2]
2	22142400	1	CLIP 2 PCS COMPLETE	
3	22142500	1	CLIP 2 PCS COMPLETE	
4	62348600	1	FILTER GS/GM 80/81 POLY KIT	
4	62048000	1	GORE TEX -NO-STAT. FILT.80/81	
4	82243100	1	FILTER NOMEK GS 80	
4	61909800	1	FILTER 8214 GS/GM80/-81 IVT/C	
5	11544710	1	LOWER CONTAINER GM 80	
6	22142300	1	BAYONET INLET COMPLETE	
7	11490500	1	TROLLEY WITH SCREW GM 80P	
7A	22394700	1	HJUL FOR GS/GM 81	[3]
10	11737011	1	CONTAINER GM80 COMPL.	
11	22384800	1	KIT WHEEL NOZZLE CARRIAGE FR	
12	71107400	1	BEH. OVERPART GM 80	[4]
13	107418525	1	DUST BAG FLEECE GM 80P 5 PCS	
13	81620000	1	DUST BAG 6.5 LITRES 5 PCS	
14	147 1491 500	1	ADAPTER KIT	
15	71107900	1	FILTER RING	[5]

Part Notes:

- [1] - Only for US
- [2] - Not shown on drawing
- [3] - NO ALTERNATIVE
- [4] - ALTERNATIVE USE 11735311
- [5] - GUARANTEE DATE EXPIRED
Is included in pos.1 and 10, needed for pos. 4

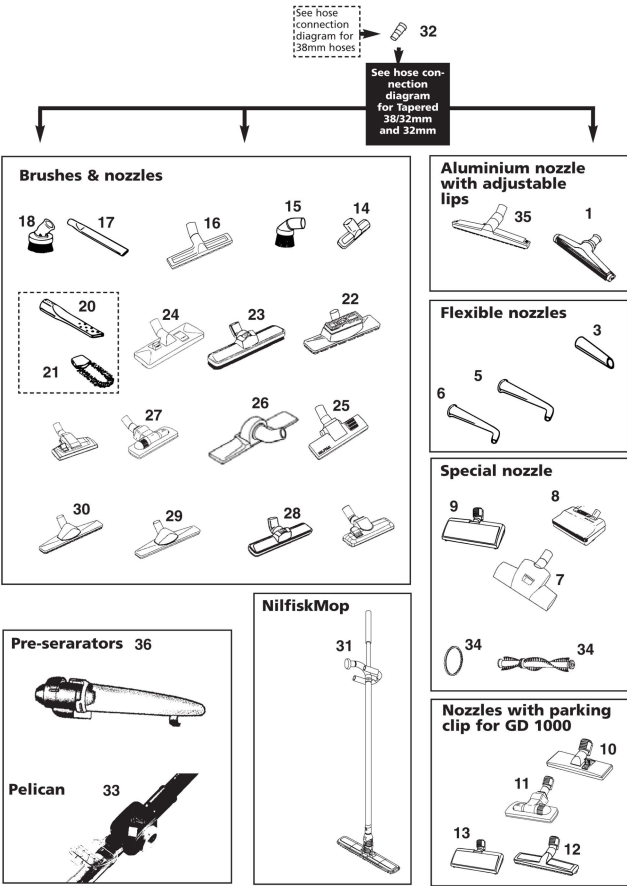


Resource notes:

No.	Part No.	Qty.	Description	Part Note
00	11717000	1	HOSE 38/32MM 2M RUBBER	
02	12041500	1	HOSE 38/32MM 2M PLAST BENT END	
02A	22041400	1	HOSE 38/32MM 2M PLASTIC	[1]
03	11717000	1	HOSE 38/32MM 2M RUBBER	
03	12097500	1	HOSE 38/32MM 2M STEEL BENT END	
03A	11543600	1	HOSE 38-32MM/2M RUBBER	
03A	12097600	1	HOSE 38/32MM 2M PLASTIC	[2]
03B	22097400	1	HOSE 38/32MM 2M PLASTIC	
06	21640503	1	BENDED TUBE WITH SHUTTER GREY	
07	22344600	1	CONSUMER MUFF KIT 32MM	
07	22344400	1	MUFF KIT 32MM BLACK GREY	
08	11182500	1	PIPE	
09	11112401	1	EXTENSION TUBE D32	
10	81906500	1	TELESCOPIC TUBE 1130MM D32	
11	11262400	1	PIPE 32MM X 1M ALU	
12	107402630	1	TUBE BENT END D32 STEEL KIT	
13	11141900	1	PIPE	
14	147 0502 500	1	TELESCOPIC TUBE BLACK KIT	[1]
14	81906502	1		
14	22190400	1	TELESCOPIC PIPE COMPL. NEWLINE	[3]
15	22147600	1	PARKERINGSKLIPS KOMPL.	[3]
16	22351000	1	SHUTTER FOR TUBE 5PCS	
17	81948300	1	RING WITH 4 TAPS FOR 81906500	
17	81192100	1	RING WITH 3 TAPS FOR 81906500	[4]

Part Notes:

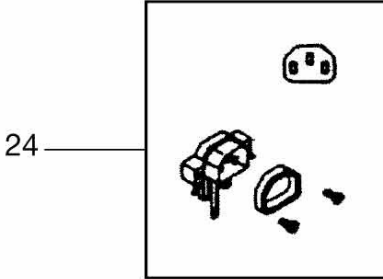
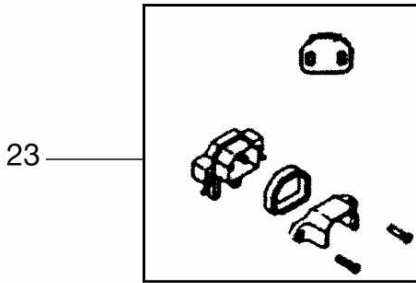
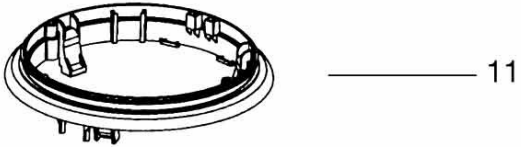
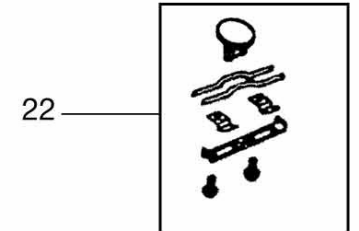
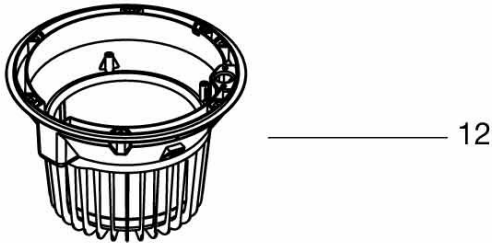
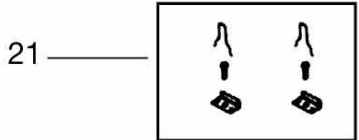
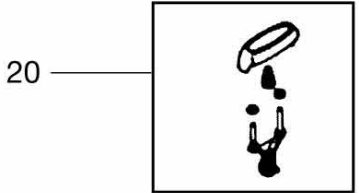
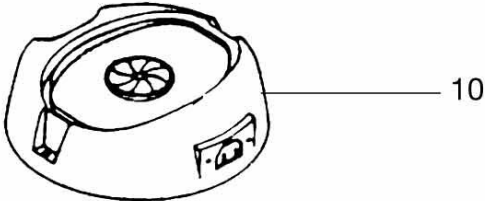
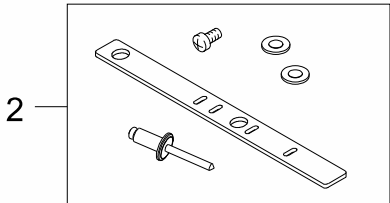
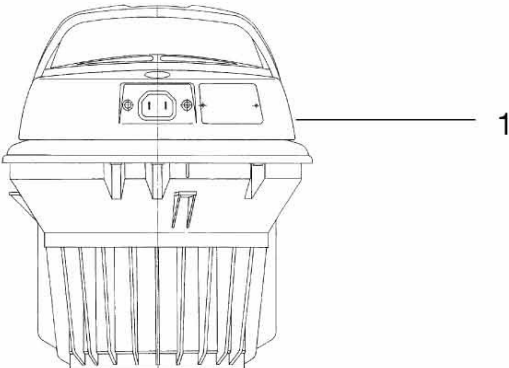
- [1] - PRUNED DUE TO LOW SALES
- [2] - TERMINATED NO REPLACEMENT
- [3] - CLOSED BY VENDOR
- [4] - ALTERNATIVE PIPE COMPLETE



No.	Part No.	Qty.	Description	Part Note
01	82366900	1	NOZZLE WITH RAILR FOR 32MM	
01	11505100	1	NOZZLE WITH WHEELS D32 MM.400	[1]
03	81140900	1	CREVICE NOZZLE KIT	
04	81140900	1	CREVICE NOZZLE KIT	
05	81141101	1	FLEXIBLE NOZZLE 240MM D32MM CR	
06	81932600	1	FLEXIBLE NOZZLE 240MM D32MM NBR ANTISTAT	
06	81141103	1	FLEXIBLE NOZZLE 240MM D32MM SI AUTOCLAVE	[2]
07	22360000	1	TURBO NOZZLE BLACK. Ø 32X300 MM	
08	22360000	1	TURBO NOZZLE BLACK. Ø 32X300 MM	
09	22203000	1	NOZZLE ELECTRO	
14	32043700	1	PHOLSTERY NOZZLE D32 GREY	
15	22302500	1	ROUND BRUSH	[3]
15	11276901	1	BRUSH ROUND GREY 100 NATU	
15	22103600	1	ROUND BRUSH BLUE BRISTLES	
16	22351400	1	HARD FLOOR NOZZLE BLACK	
17	81141200	1	CREVICE NOZZLE FLAT D32X360 MM	
18	11276901	1	BRUSH ROUND GREY 100 NATU	
19	11140300	1	BRUSH OVAL 32MM 150MM	[4]
20	81530400	1	CREVICE NOZZLE D32 LENGTH 245MM	
21	11530500	1	RADIATORBØRSTE	[5]
22	22359800	1	NOZZLE COMBI DELUXE	
23	11426700	1	BRUSH NOZZLE32 280MM	
24	11980300	1	COMBO-FL. NOZZ. GREY 270MM	
24	22412900	1	NOZZLE COMBI BLACK	
26	L00396347	1	FRENCH FLOOR NOZZLE HARD	[6]
26	L00396348	1	FRENCH FLOOR NOZZLE SOFT	[6]
26	L00396349	1	FRENCH FLOOR NOZZLE HARD	[7]
27	22359800	1	NOZZLE COMBI DELUXE	
27	22303900	1	COMBI WITH REEL ARNOLDI KIT	[6]
28	11276800	1	NOZZLE CARPET32/280	
29	11476200	1	NOZZLE. CARPET 32 400MM	
30	11476301	1	BRUSH NOZZLE.32 400MM	
31	17830005	1	NILFISK MOP GS/GM	
31	17830003	1	NILFISK MOP GS/GM	
31	17830007	1	MOP WITHOUT HOSE 1000 MM MED.	
31	17830004	1	NILFISK MOP GS/GM	
32	11503100	1	REDUCTION 32/38	
33	22424800	1	PELICAN NOZZLE	[8]
34	81684500	1	BRUSH	[9]
34	81684600	1	DRIVE BELT	
35	82366900	1	NOZZLE WITH RAILR FOR 32MM	
36	140 7700 000	1	PRE SEPARATOR CYCLONE PHASE 1	[10]

Part Notes:

- [1] - Machine outphased 1999
ARTICLE NO MORE SUPPLIED
- [2] - Autoclavable
- [3] - 22352000 OR 11276901
- [4] - Nilfisk-CFM Acc. Program
- [5] - 010 5818 140+010 3098 500
- [6] - CLOSED BY VENDOR
- [7] - SEE HOSE/NOZZLE PROGRAM
- [8] - GUARANTEE DATE EXPIRED
- [9] - NO DIRECT REPLACEMENT
- [10] - ALT 22424800 PELICAN



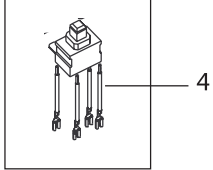
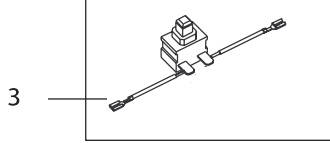
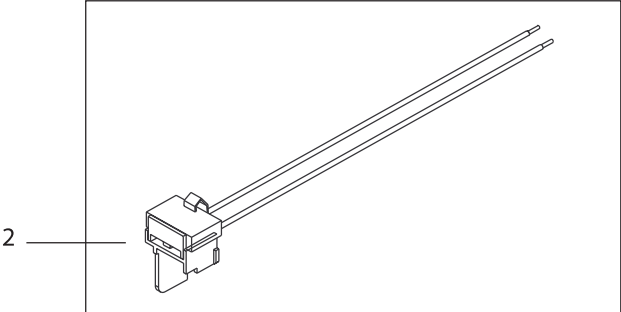
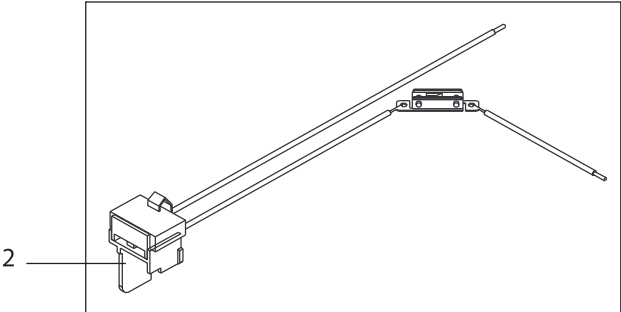
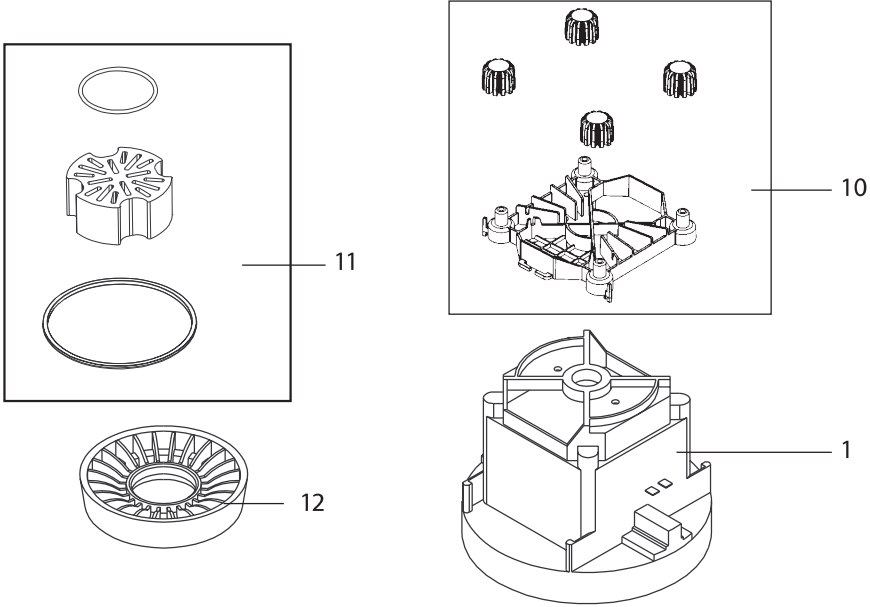
Resource notes:

No.	Part No.	Qty.	Description	Part Note
00	82218700	1	PACKAGE F MOTOR TOP GM80	
00	107401795	1	GM 80 CN KIT	[1]
1	22091000	1	ANTISTATIC CONNECTION	[2]
1	12112353	1	MOTOR GMPJ 220-240V EU-UD	
1	12112153	1	MOTORHEAD COMPLETE GMP 220-240V EU/AU/UK	
1	12108348	1	MOTOR GSPJ 200V JAPAN	[3]
1	12110329	1	MOTOR GMPJ 110-120V UL	
1	12110327	1	MOTOR GMPJ 100V JAPAN	
1	12108253	1	MOTOR GSP M.F.LEDN.EU/AUS	[4]
1	12108127	1	MOTOR GSP 100V JAPAN	[3]
1	12108529	1	MOTOR GSPJ 110-120V.UL	[5]
1	12108429	1	MOTOR GSP 110-120V.UL	[5]
1	12108629	1	MOTOR GSP W/CORD UL	[5]
1	12108153	1	MOTOR GSP 220-240V EU/UK/AUS	
1	12108353	1	MOTOR GSPJ 220-240V AUS	[6]
1	12108148	1	MOTOR GSP 200V JAPAN	[7]
1	12110127	1	MOTOR GMP 100V JAPAN	[7]
1	12110129	1	MOTOR GMP 110-120V UL	
1	12112253	1	MOTOR GMP F.CORD 220-240V	
1	12108129	1	MOTOR GSP 110-120V UL	[8]
1	12108329	1	MOTOR GSPJ 110-120V UL	[6]
1	12110229	1	MOTOR GMP, FIXED CORD, UL	[5]
2	22091000	1	ANTISTATIC CONNECTION	[2]
10	22232300	1	TOP HOUSING FOR GS/GM	
10	22232301	1	TOP HOUSING FOR GS/GM	[2]
11	22232500	1	SUPPORT RING KIT	
12	22231201	1	BOTTOM HOUSING WITH VALVE	
12	22231200	1	KIT F. TOP HOUSING LOWER EU	
20	22410500	1	ON/OFF DEVICE FOR GS/GM	
20	107416222	1	BUTTON, CONTACT BREAKER KIT 100 PCS	
21	22410400	1	LOCKING DEVICE F. HANDLE KIT	
22	20705300	1	THERMO VALVE COMPLETE WITH PARTS KIT	[9]
23	20705400	1	SOCKET STAND. W. PARTS	
24	20705500	1	SOCKET EARTHED W. PARTS	

Part Notes:

- [1] - can be closed ultimo 2010
NO LONGER AVAILABLE
- [2] - STOCK COVERS GUARANTEE
- [3] - NO LONGER AVAILABLE
- [4] - STOCK COVERS GURARANTEE
- [5] - Machine outphased 2007
- [6] - USE MOTOR GMPJ AS ALTERNATIVE
- [7] - BUY SINGLE COMPONENTS OR MACHINE
- [8] - USE MOTOR GMP AS ALTERNATIVE
- [9] - BUY NEW MOTOR COMPLETE

SEE TSB DK 2000-007TSB DK 2000-007. Motor parts

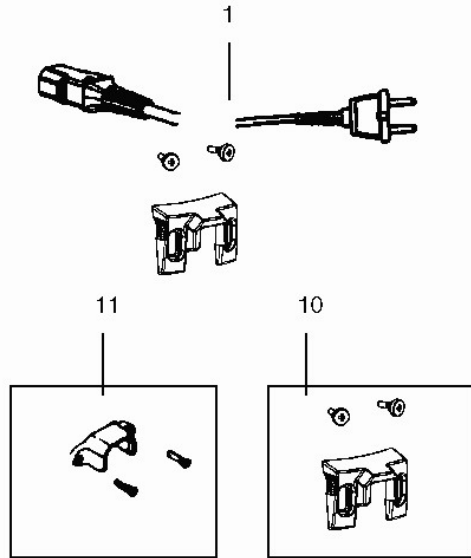


Resource notes:

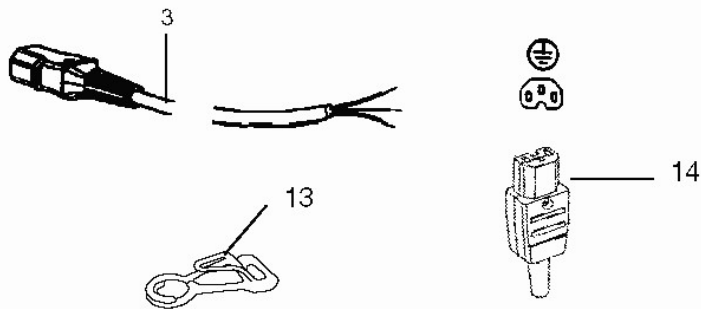
No.	Part No.	Qty.	Description	Part Note
1	12125002	1	FAN UNIT 220-240V 800W	
1	12125001	1	MOTOR GSP 100-120V	
1	12125005	1	FAN UNIT 230V 1200W	
1	12125003	1	MOTOR GMP 110-120V	
2	22130501	1	INTERNAL WIRE AND CAPACITOR	
2	22130500	1	WIRE KIT/THERMO SWITCH UL	[1]
3	22131100	1	ON/OFF SWITCH 1-POLE	
4	22131200	1	ON/OFF SWITCH 2-POLE	
10	22231100	1	MOTOR KIT FOR PHILIPS	[2]
10	107401268	1	MOTOR KIT FOR AMATEK	
11	22365300	1	SOUND ABSORBER AND GASKET	
12	22399800	1	GASKET FOR INLET	[3]

Part Notes:

- [1] - NO LONGER AVAILABLE
- [2] - GUARANTEE DATE EXPIRED
- [3] - for old motor type outph. 2001
MACHINE VERS.OUTPH.2001



Cord with plug/socket for bracket, item10 or 11, for GM 80-90 series			
	Rating	Plug type	
EU	250		
UK	250		
AUS/NZ	250		
CH	250		
USA/CAN	120		
USA/CAN Grounded	120		
Italy Institutional	250		

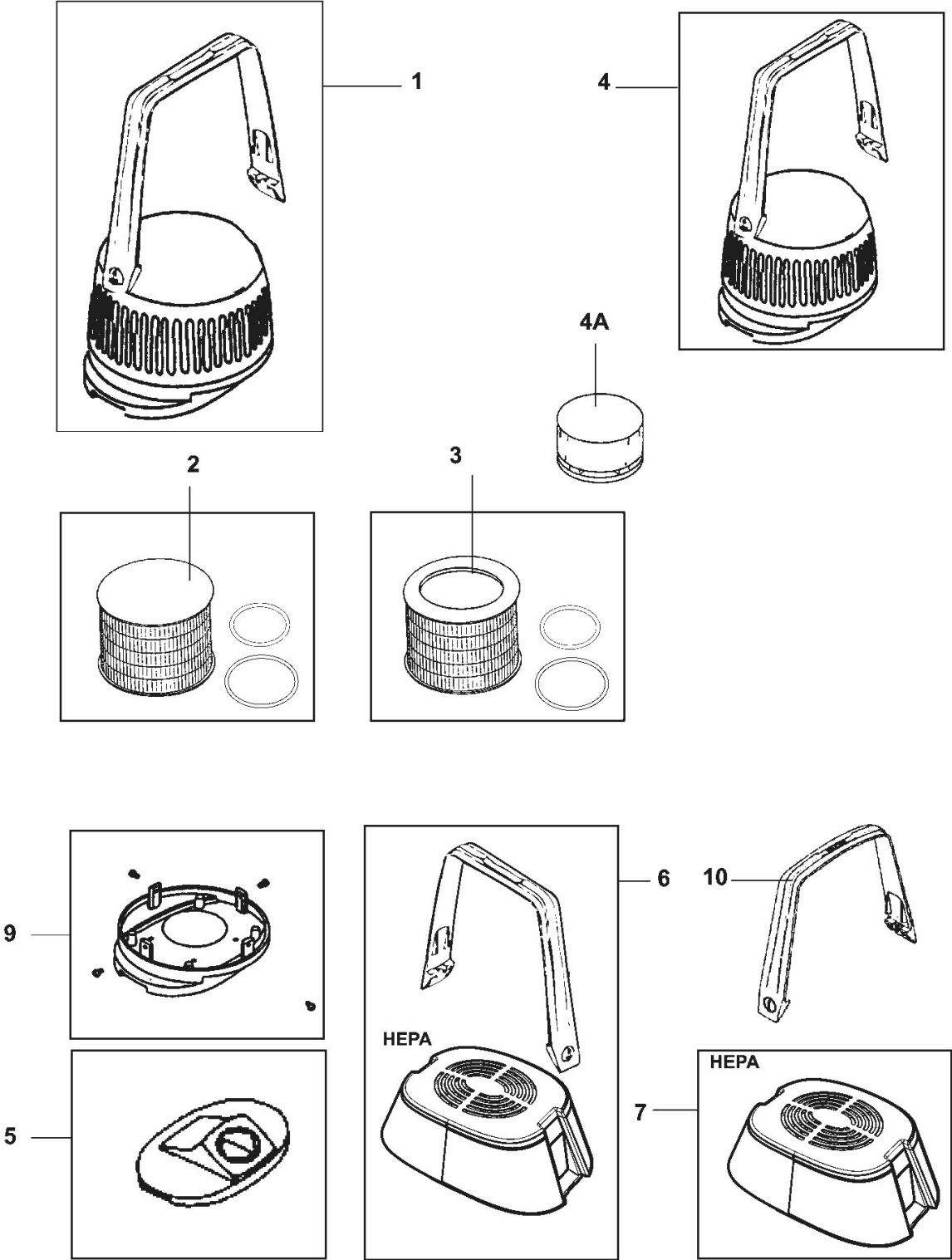


Resource notes:

No.	Part No.	Qty.	Description	Part Note
01	21746600	1	10M CORD 2X1.0 CON./UK	
01	147 0363 500	1	CORD SET KIT GM 80C AU/NZ	
01	22146000	1	10M CORD 2X1.0 CON./ITALY	[1]
01	21548000	1	7M CORD 2X1.0 CON./EU	
01	21545400	1	7M CORD 2X1.0 CON./NOPLUG	
01	21907900	1	7M CORD 2X1.0 CON./CH	
01	147 0764 500	1	CORD SET GM80 CN	
01	21584900	1	30M CORD 2X1.0 CON./EU	
01	21545900	1	10M CORD 2X1.0 CON./EU	
01	21907800	1	10M CORD 2X1.0 CON./CH	[2]
01	21905600	1	10M CORD 2X1.0 CON./AUSANDNZ	
01	21547900	1	10M CORD 2X1.0 CON./NOPLUG	
01	4083901466	1	POWER CABLE 3G1 SCHUKO PLUG FOR IVT1000	
01	107408837	1	CORD SET 9.3M 3X1.25 JP PLUG NILFISK CO	
01	21952200	1	9.3M CORD AWG18/2 CON./US	
01	21746500	1	7M CORD 2X1.0 CON./UK	
03	4083901466	1	POWER CABLE 3G1 SCHUKO PLUG FOR IVT1000	
03	21547900	1	10M CORD 2X1.0 CON./NOPLUG	
03	21545400	1	7M CORD 2X1.0 CON./NOPLUG	
10	22361000	1	BRACKET W.SCREWS F.CORD	
11	22131600	1	CORD LOCKING KIT	[1]
13	82195800	1	CORD REALEASE FOR HANDLE	[3]
14	L00191024	1	PLUG FOR CABLE FOR GS	

Part Notes:

- [1] - GUARANTEE DATE EXPIRED
- [2] - STOCK COVERS GUARANTEE
- [3] - NO MORE AVAILABLE



No.	Part No.	Qty.	Description	Part Note
01	11731003	1	EXHAUST FILTER KIT WO.	
02	21738000	1	FILTER ELEMENT HEPA GS/GM KIT	
03	21739000	1	FILTER ELEMENT ULPA GS/GM KIT	
04	11750703	1	SOUND SUPPRESSOR FOR	[1]
04A	21750900	1	LYDELEMENT KOMPL.	[2]
05	11562001	1	BLOWING COUPLING GS/GM80 GREY	
05	11562000	1	BLOWING COUPLING GS/GM80 BLACK	
06	82146700	1	HEPA STARTER KIT	
07	82147100	1	HEPA REPLACEMENT FILTER	
09	22383900	1	BASE FOR FILTER KIT	
10	147 1138 500	1	GM 80 HANDLE KIT	

Part Notes:

- [1] - GUARANTEE DATE EXPIRED
[2] - KIT 22384100 OR 11750703

