
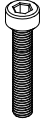
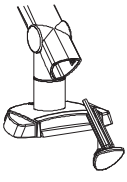

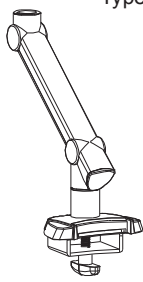
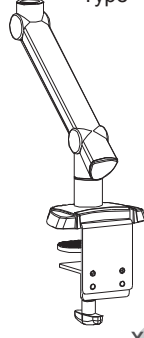


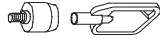
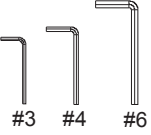
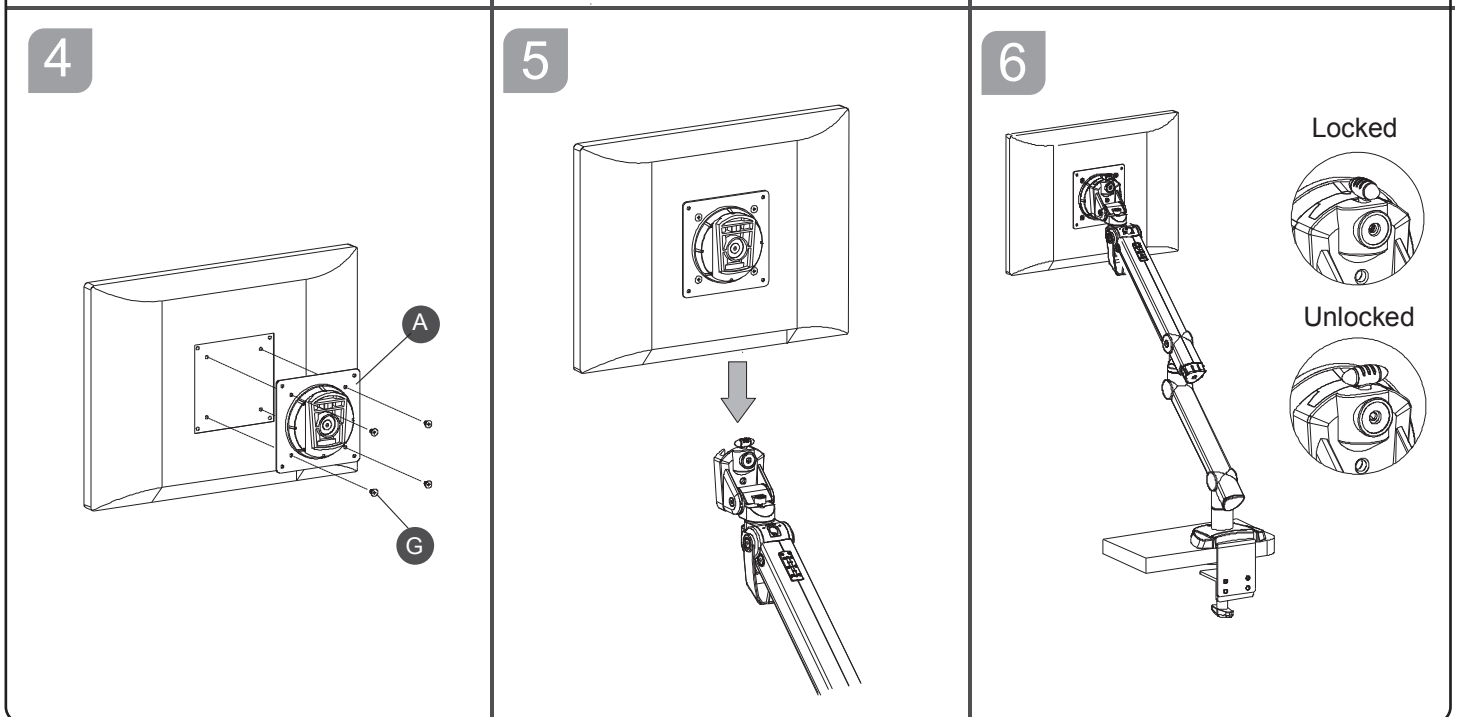
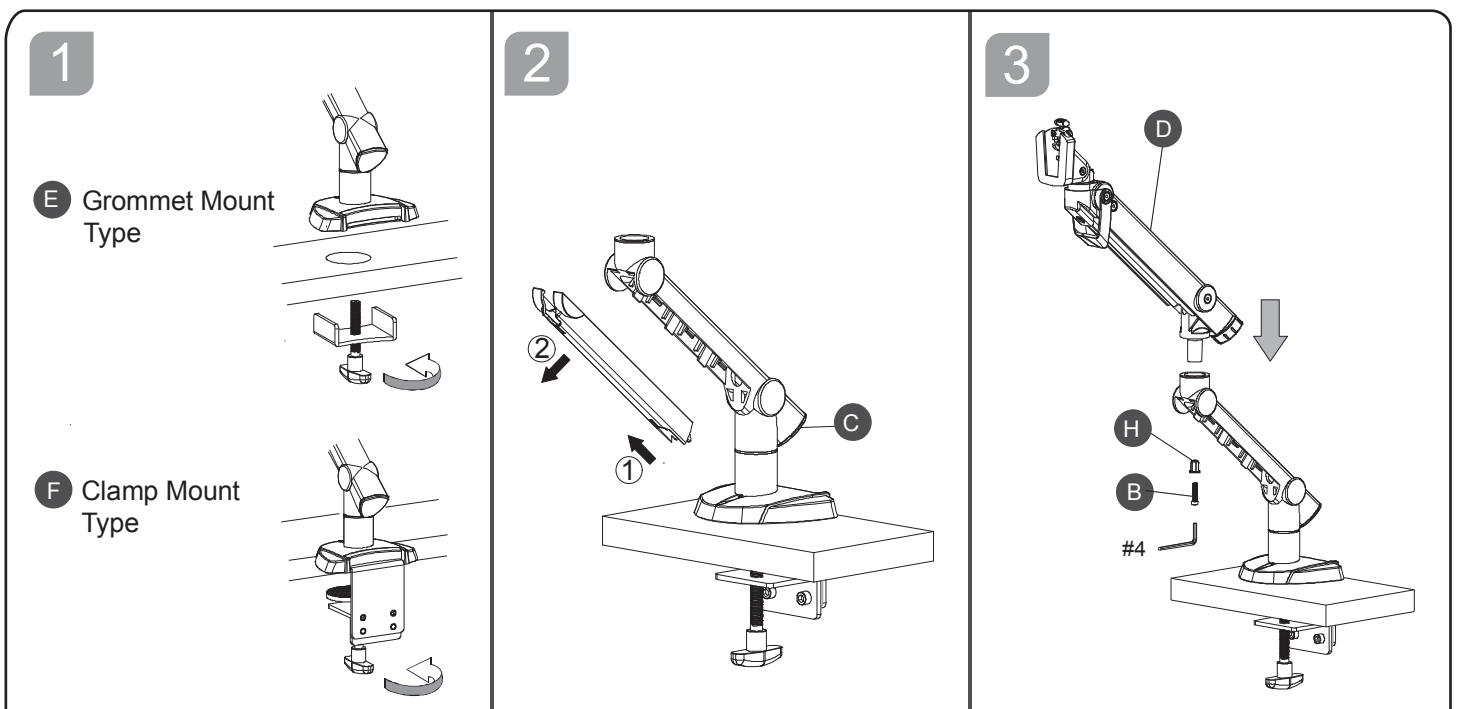


# Dynafly

LCD monitor arm  
Installation Guide/ 1 monitor

<b>Parts</b>	<b>A</b>  x1	<b>B</b>  M5X30 x1	<b>C</b>  x1	<b>D</b>  x1	<b>E</b> Grommet Mount Type  x1	<b>F</b> Clamp Mount Type  x1
	<b>G</b>  M4X10 x4	<b>H</b>  x1	<b>I</b> Option  x1	<b>#3 #4 #6</b>  x1		



# Dynafly

LCD monitor arm  
Operation Guide/ 1 monitor

