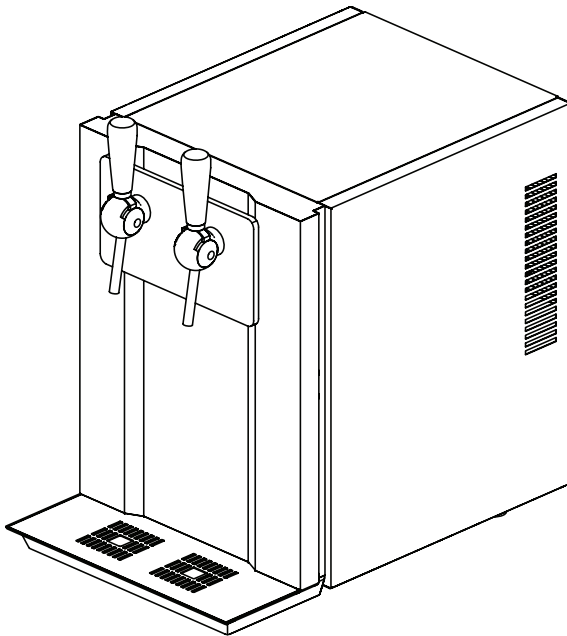


# Installation and Maintenance Manual

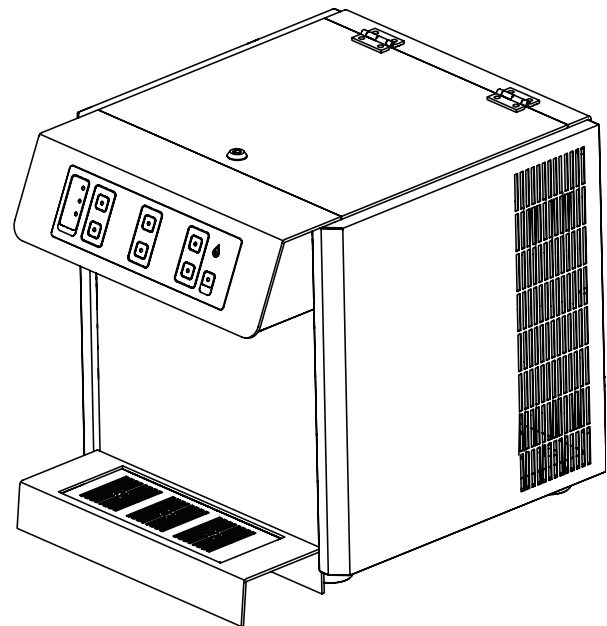
**ELKAY®**

commercial products

**BL**Bar  
COUNTERTOP



FONTEMAGNA COMPACT



## Table of Contents

Declaration of Conformity Association	2	Before You Begin – Requirements for Installation	7	Installing the Machine	11
Recommendations for Safeguarding the Environment	3	Mounting Dimensions	7	Operating the Touch Control Keypad <i>Fontemagna Compact Only</i>	16
Explanation of Warning/Safety Icons	3	Operating Environment	8	Programming the Touch Control Keypad <i>Fontemagna Compact Only</i>	18
Introduction	4	Water	8	Routine Maintenance	19
Components Guide	5	Electrical	8	Troubleshooting	22
Product Specifications	6	Tools You Will Need	9	Replacement Parts	25
		Unpacking the Kit	9		
		What's in the Kit	10		



**NOTICE:** Read the instructions in this manual and retain for future reference.

# Declaration of Conformity



## Materials compliant for contact with drinking water

This unit is intended for the dispensing of drinking water, and so the materials that enter into direct contact with water meet the criteria for food-grade components pursuant to the current legislation. In addition, the unit is manufactured in compliance with Italian Ministerial Decrees 174 of 04/06/2004 and 25 of 02/07/2012.

## Electrical safety

This water cooler is designed, manufactured and marketed in compliance with:

- the safety objectives of the Low Voltage Directive 2006/95/EC;
- the protection requirements of the Electromagnetic Compatibility Directive 2004/108/EC.

The electrical safety of the product is ensured only when it is properly connected to an efficient, legally compliant grounding circuit.

UL standard for safety of drinking water coolers, ANSI/UL 399, Issued: 2008/08/22, Ed: 7, Rev: 2013/10/18

CSA standard for refrigeration equipment, CSA C22.2 No. 120, Issued: 2013/03/01, Ed: 4

# Association



## International Awards

**2014 – BEST PROMOTION OF HEALTH AND HYDRATION**  
EUROPEAN AQUA AWARDS 2014, BUDAPEST

**2013 – BEST PRODUCT INNOVATION**  
EUROPEAN AQUA AWARDS 2013, BERLIN

**2012 – BEST ENVIRONMENTALLY FRIENDLY PRACTICE**  
EUROPEAN AQUA AWARDS 2012, ISTANBUL

**2011 – BEST PRODUCT DESIGN/INNOVATION**  
EUROPEAN AQUA AWARDS 2011, ODESSA

**2010 – BEST ENVIRONMENTALLY FRIENDLY PRACTICE**  
EUROPEAN AQUA AWARD 2010, PRAGUE

# Recommendations for Safeguarding the Environment

## Packaging materials



The packaging materials are 100% recyclable. Please follow the local guidelines on waste disposal. For safety reasons keep the packaging material out of the reach and sight of children.

## Scrappage



The Fontemagna Compact and Blubar Countertop water coolers are made using recyclable material.

These units are marked in compliance with European Directive 2002/96/EC on Waste Electrical and Electronic Equipment (WEEE). By ensuring that the product is scrapped correctly, you will help to prevent potential negative consequences for the environment and for health. This symbol indicates that the product should not be treated as domestic waste but should be taken to a dedicated recycling center for electrical and electronic equipment. Immediately prior to scrapping, cut off the power cable.

For more information on the treatment, recovery and recycling of this product, please contact the appropriate local office, the waste disposal service or the reseller from which the product was purchased.

**These products contain no CFCs or HFCs, which contribute to global warming.**

They are the first water coolers on the American market to use natural refrigerant.

The refrigerating system is filled with R134a: a natural gas that does not contribute to global warming and that allows for substantial Energy Savings.

## Explanation of Warning/Safety Icons



**NOTICE:** Indicates an instruction which, if not followed, could result in damage to product or property or poor product performance.



**CAUTION:** Indicates an instruction which, if not followed, could result in minor or moderate injury.



**WARNING:** Indicates an instruction which, if not followed, could result in serious injury or death.

# Introduction

The Fontemagna Compact and Blubar Countertop coolers bring contemporary style and state-of-the-art technology to commercial water dispensers. Fontemagna Compact combines precise pushbutton control with a sleek, minimalist design, while Blubar Countertop puts a modern spin on the traditional appeal of the hand-operated tap.

- Multiple dispensing options: cold still water, cold sparkling water, and room-temperature still water (*Fontemagna Compact only*)
- Natural materials throughout: stainless steel, aluminum, Plexiglas
- Internal components made entirely of stainless steel
- Dual cooling coil – one for cold water and one for sparkling water, with the option for simultaneous dispensing
- High-insulation ice bank ensures a high output of cold water, still and sparkling

## Fontemagna Compact

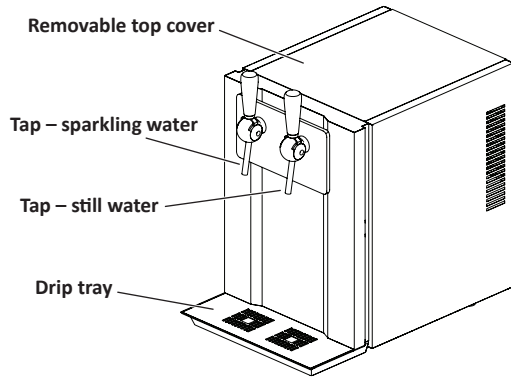
- Preprogrammed quantities of water to minimize overflow and waste
- Electronic keypad with glass cover, easy to use and hygienic, with touch control commands
- Self-diagnosis and alarm system responds to little or no water flow, an accidental water leak or the need for CO<sub>2</sub> cylinder replacement
- Energy Saving command: when selected, this feature enables standby functionality of the unit, with consumption reduced by 75% compared to full functionality



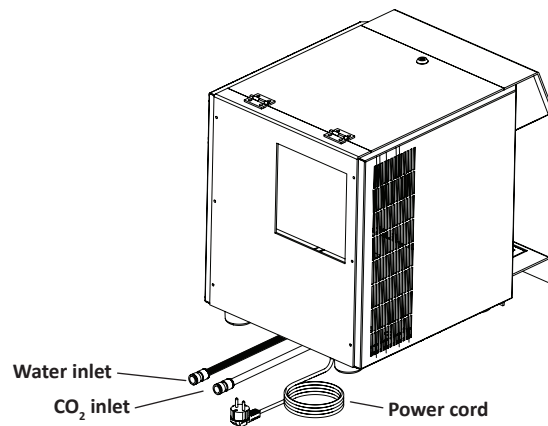
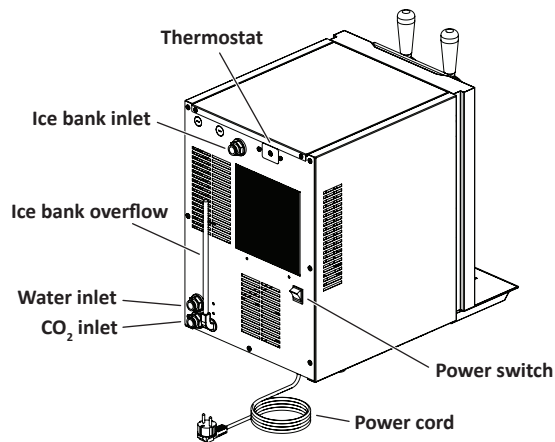
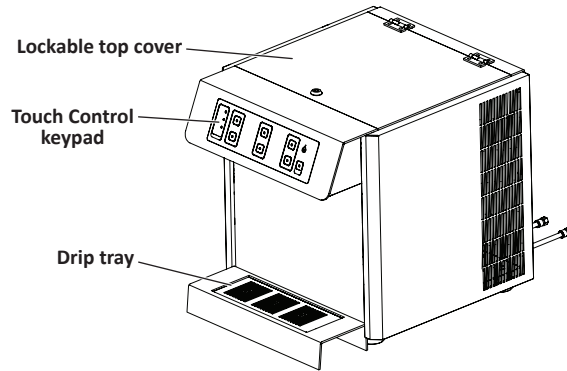
**NOTICE:** Due to rigorous testing, product may reasonably be expected to contain traces of sanitizing solution.

# Components Guide

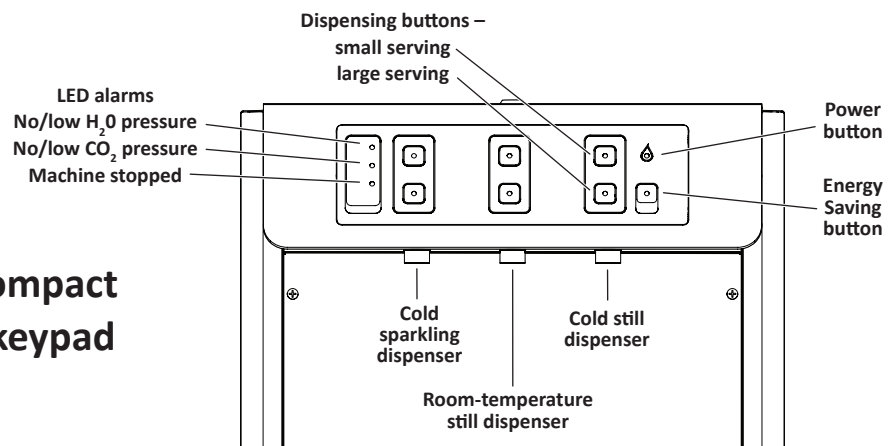
## Blubar Countertop



## Fontemagna Compact



## Fontemagna Compact Touch Control keypad



# Product Specifications

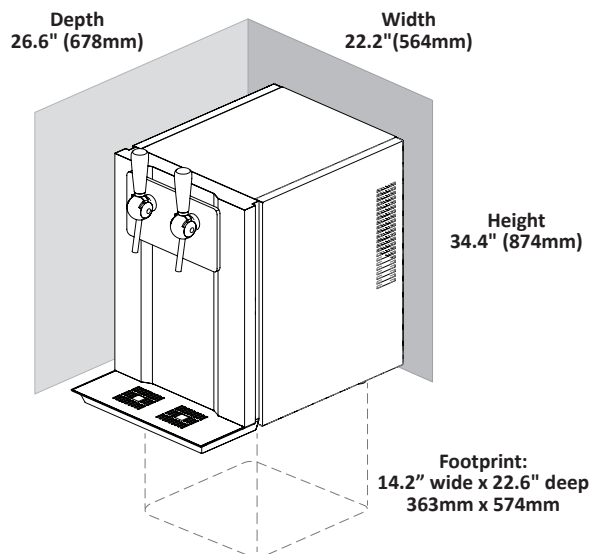
Specification	Blubar Countertop	Fontemagna Compact
Cooling capacity <i>gal/h (lt/h)</i>	20 (80)	20 (80)
Continuous supply <i>gal (lt)</i>	12 (45)	12 (45)
Cold water temperature	37.4°F – 50°F (3°C – 10°C)	37.4°F – 50°F (3°C – 10°C)
Ice bank capacity <i>gal (lt)</i>	3.7 (14)	3.7 (14)
Ice bank <i>lb (kg)</i>	11 (5)	11 (5)
Cooling technology	ICE BANK single stainless steel coil	ICE BANK single stainless steel coil
Condensation	Forced ventilation (fan)	Forced ventilation (fan)
Adjustable thermostat	Yes	Yes
Refrigerant gas	R134a	R134a
Pump	Professional booster pump	Professional booster pump
Inlet water pipe	ø 3/8"	ø 3/8"
Power	115V - 60Hz	115V - 60Hz
Power consumption	330W - 3.2A	330W - 3.2A
Working room temperature	Min 41°F – Max 107.6°F (Min 5°C – Max 42°C)	Min 41°F – Max 107.6°F (Min 5°C – Max 42°C)
UNIT WEIGHT <i>lb (kg)</i>	77 (35)	82 (45)
SHIPPING WEIGHT <i>lb (kg)</i>	84 (38)	110 (50)
Dimensions W x D x H <i>in (mm)</i>	14.2 x 22.6 x 22.4 (360 x 575 x 570)	18.1 x 23.2 x 20.1 (460 x 590 x 510)
Dispensing area height <i>in (mm)</i>	12.6 (320)	13.38 (310)
Packaging dimensions W x D x H <i>in (mm)</i>	18.1 x 24.8 x 26.0 (460 x 630 x 660)	21.2 x 27.6 x 26.8 (540 x 700 x 680)
Dispensing	Supply option (sparkling, cold water)	Supply option (sparkling, cold and room temperature water) with customizable portion control system
Mechanical outlet taps	HQ stainless steel	
Push buttons		Electronic touch pad board
Energy Saving device		Included, dedicated push buttons
Display Alarms		No/low water, No/low CO <sub>2</sub> , leakage
Materials	All robust stainless steel parts, Plexiglas front panel	All robust stainless steel and aluminum parts

# Before You Begin – Requirements for Installation

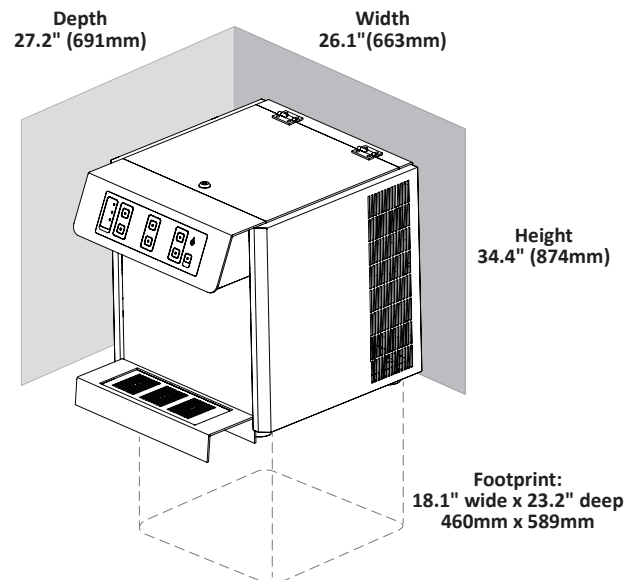
## Mounting Dimensions

Over counter (includes 4" clearance on sides and back)

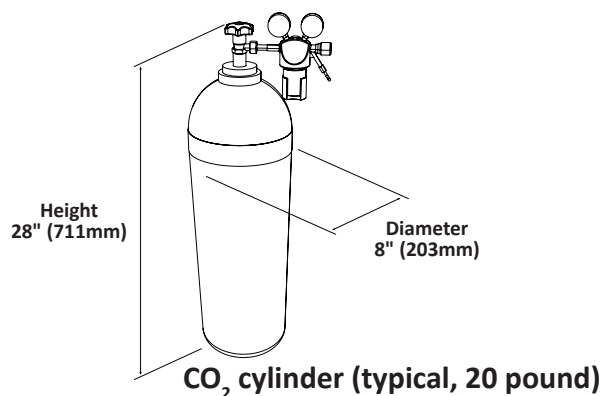
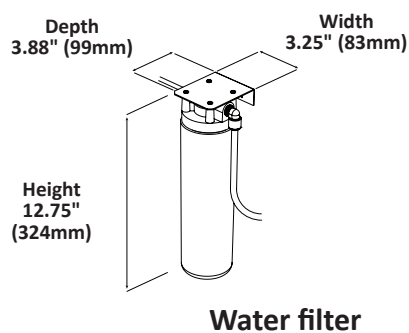
### Blubar Countertop



### Fontemagna Compact



### Under counter



## Operating Environment

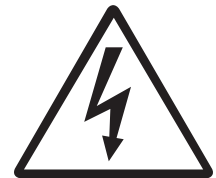
- Install the machine in a clean, dry, well-ventilated room. It is designed to function correctly in environments with a temperature of 16°C to 32°C – Climatic Class N, (between 61°F and 90°F).
- Check that the water cooler is level, that it is on a surface that can support its weight and in an environment suitable for its size and use.
- Do not place the machine near a source of heat.
- To guarantee adequate ventilation, leave at least 4" (100 mm) of space around the unit.
- Take care not to damage the cooling fluid circuit. It is essential to ensure that the tubes of the refrigerant circuit are not damaged.
- The unit is not intended for use by children.
- Keep the areas surrounding the unit dry to avoid the risk of people slipping.
- The unit must not be cleaned with a water jet.

## Water

- Always connect the water cooler to a water main that supplies drinking water only.
- Use of 3/8" diameter connections is recommended.
- Turn off the main water inlet tap if the unit is not to be used for a long period.

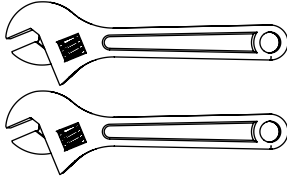
## Electrical

- Check that the voltage shown on the serial number plate corresponds to the voltage being supplied at the installation site.
- Do not use extension cables or multiple-power sockets. The machine must be located close enough to a standard power socket that the supplied power cable reaches without stretching.
- After installation, check that the machine is not standing on its power supply cable.
- Ensure that it is possible to disconnect the power supply either by removing the plug or via a two-pole circuit breaker placed upstream of the plug.
- Before any maintenance or cleaning operation is carried out, remove the plug from the socket or disconnect the power supply.
- If the power cable is damaged, it must be replaced by the manufacturer, by its technical support service or by a qualified technician.
- Do not position other electrical equipment in the immediate vicinity of the water cooler.

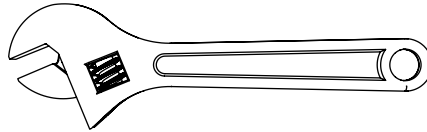




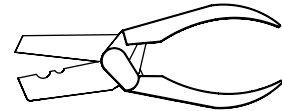
## Tools You Will Need



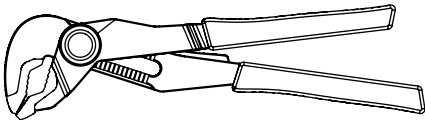
(2) 8" adjustable wrenches



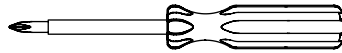
(1) 12" adjustable wrench



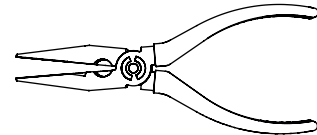
(1) 12" pipe cutter



(1) 10" adjustable pliers



(1) universal screwdriver



(1) wire cutting pliers

## Unpacking the Kit

Remove the front panel (labeled FRONT) and cover of the wooden packing case.

Remove the cardboard box and the internal protective packaging by sliding them up and over the top.

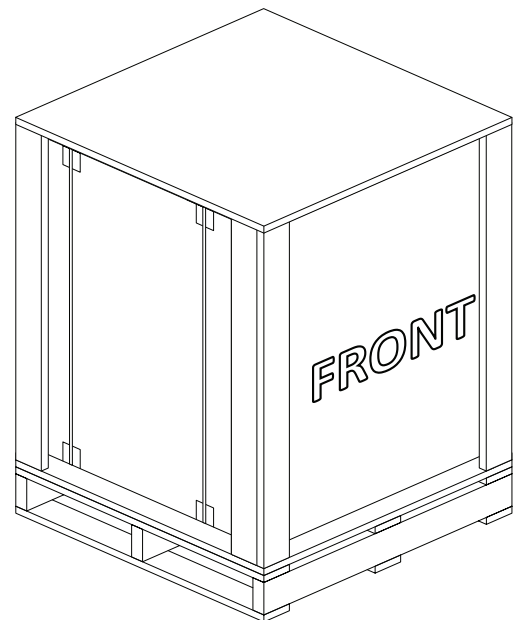
Once you have unpacked the machine, check all components to ensure that they are not damaged. Contact the carrier immediately if there has been any damage during shipping.



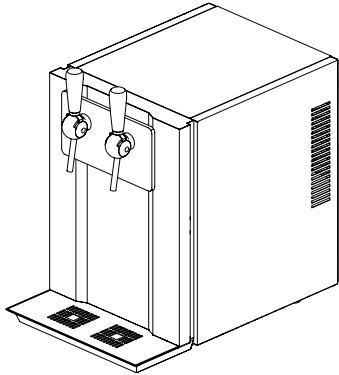
**NOTICE:** Ensure that your machine is installed by a qualified technician in compliance with the manufacturer's instructions and the local safety guidelines.



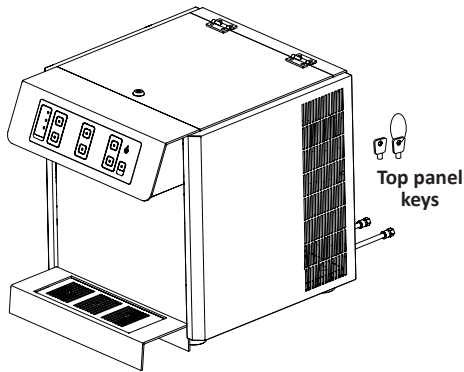
**NOTICE:** Only qualified technicians should access the internal components of your machine, other than to fill the ice bank.



# What's in the Kit

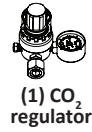


(1) Blubar Countertop or Fontemagna Compact water cooler

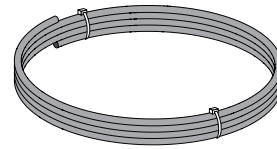


Top panel keys

PLUS



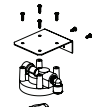
(1) CO<sub>2</sub> regulator



(1) 10' coil water tubing 3/8" OD (blue)



(1) supply hose 1/2 ips x 3/8 tube x 12" long



(1) external water filter



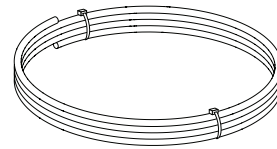
(2) 3/8" - quick connect connector



(1) water shutoff valve



(1) water pressure regulator



(1) 10' coil CO<sub>2</sub> tubing 1/4" OD (natural)



(1) 3/8" x 1/4" quick connect connector



(1) 4" piece of 1/4" OD tubing



**NOTICE:** CO<sub>2</sub> source is not included and must be supplied separately.

# Installing the Machine



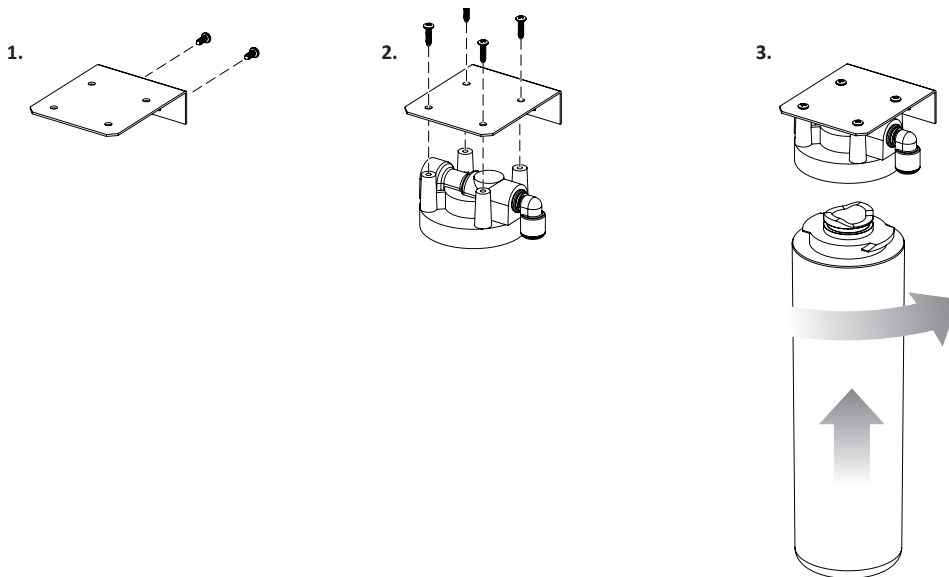
**CAUTION:** Wear safety gloves when handling the machine. Metal edges are sharp, and touching them could result in minor or moderate injury.



**CAUTION:** Machine weighs more than 100 lbs (45 kg) when the ice bank is filled. Lifting without proper support could result in minor or moderate injury.

## 1. Install external water filter and CO<sub>2</sub> cylinder.

1. Use (2) Phillips head screws to mount bracket to under-counter wall.
2. User (4) Phillips head screws to mount filter head to bracket.
3. Remove cap from filter. Insert filter into filter head and turn clockwise (right) until it stops.



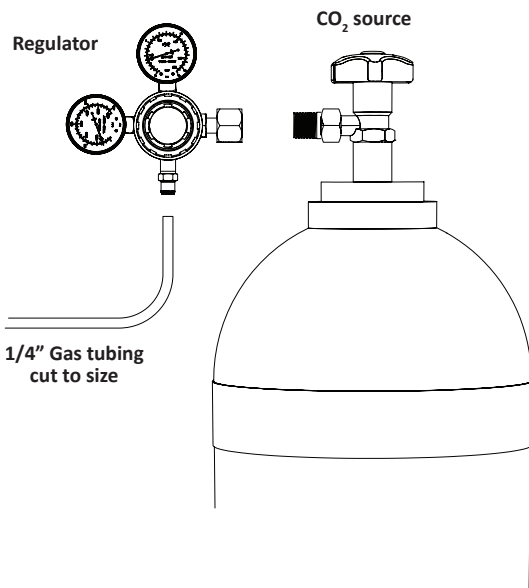
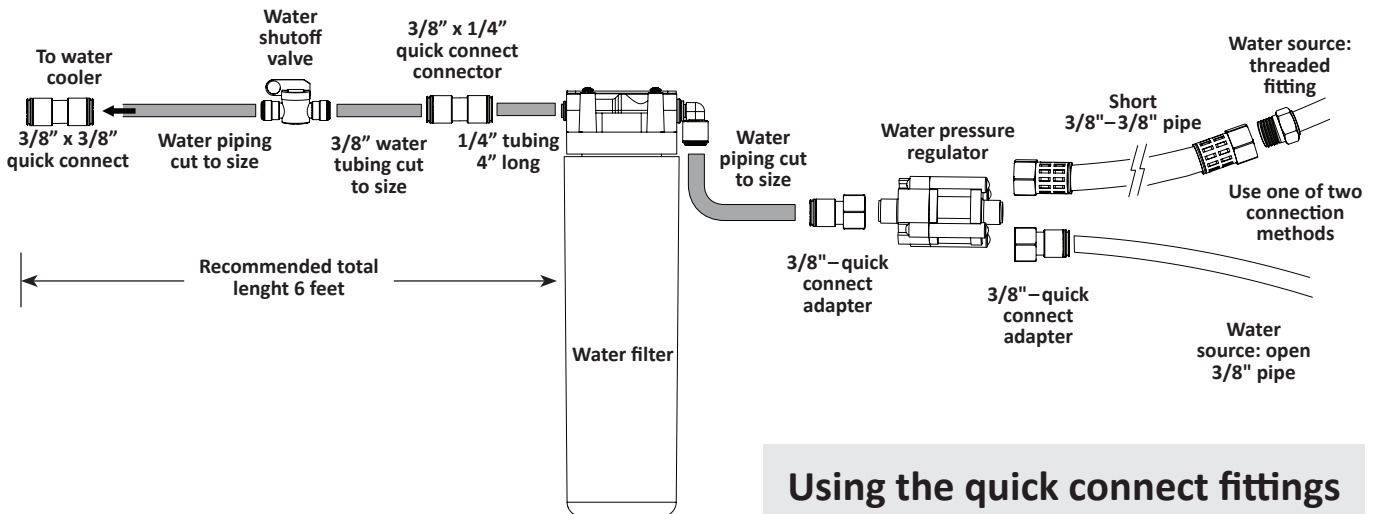
**NOTICE:** Install CO<sub>2</sub> source per manufacturer's recommendations.

## 2. Cut, size and connect water and CO<sub>2</sub> piping to fit your installation.

**NOTICE:** The water pressure entering the machine must be between 14.5 psi (0.10 MPa) minimum and 51 psi (0.35 MPa) maximum. If the inlet water pressure is higher than 51 psi, the water pressure regulator supplied must be used.

**NOTICE:** An incoming flow rate of >1.0 gallon/minute is recommended for optimal quality of sparkling water.

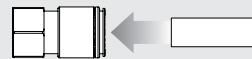
**NOTICE:** Check all input piping and connections for leaks before connecting to the machine.



### Using the quick connect fittings

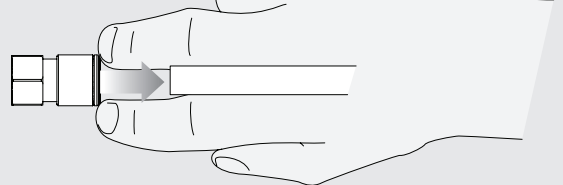
#### To connect:

1. Make clean, 90° cut to piping end.
2. Push piping straight into fitting until it stops.
3. Pull back to check that connection is secure.



#### To disconnect:

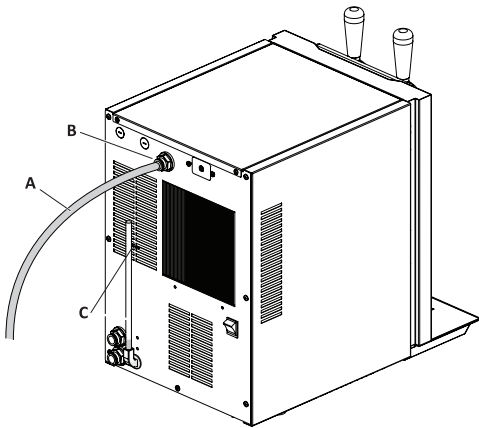
1. Press in the end tab.
2. Pull piping out.
3. Release tab.



### 3. Fill the ice bank in your machine.

#### Blubar Countertop

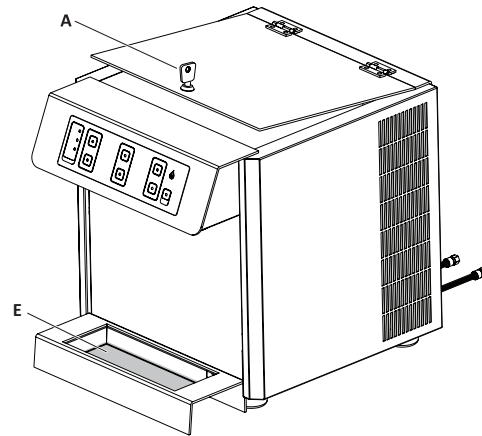
1. Insert piping from water supply **(A)** into ice bank inlet quick connect **(B)**.



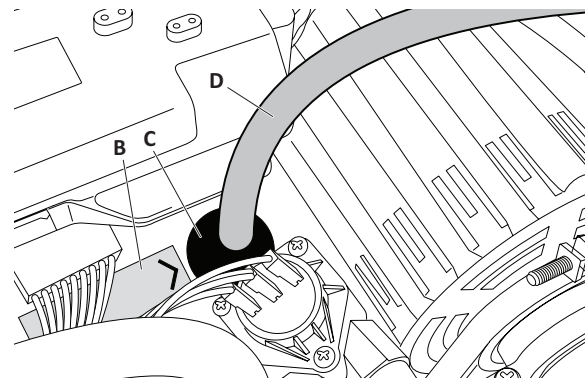
2. Fill slowly until water reaches the maximum fill line on the overflow tube on the back side of the machine **(C)**.
3. If water exceeds this level, water will flow from the drip tray on the front.
4. If you have to move the unit, remember to empty the ice bank first.
5. Turn off water supply and remove piping from ice bank inlet.

#### Fontemagna Compact

1. Unlock and open the top cover using the supplied key **(A)**.



2. Look for the bright yellow label with the arrow **(B)**, which points to the ice bank inlet hole **(C)**.
3. Insert piping from water supply **(D)** directly into the ice bank inlet.

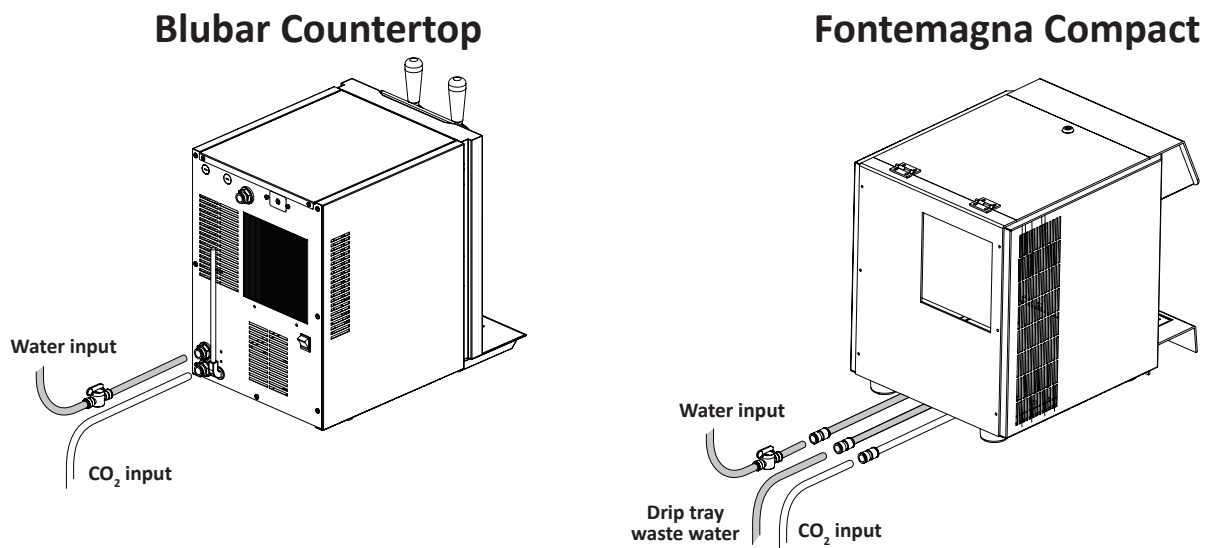


4. Fill slowly until water appears in drip tray **(E)**.
5. If you have to move the unit, remember to empty the ice bank first.
6. Turn off water supply and remove piping from ice bank inlet.

## 4. Place the machine in its operating location.

**!** **NOTICE:** Ensure machine remains level while being lifted into place to prevent spillage from ice bank.

## 5. Connect external water and CO<sub>2</sub> piping.



## 6. Plug the machine into the wall socket and turn it on.

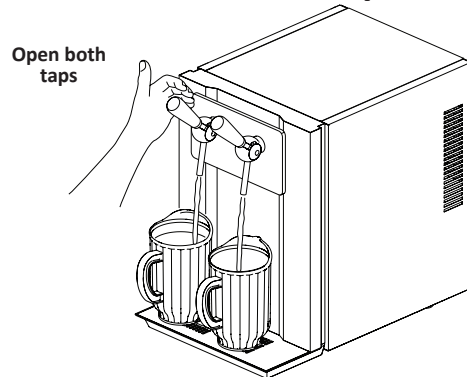
1. Connect the power cable to the nearest socket.
2. On the Blubar Countertop, flip the power switch at the rear of the machine to the "I" position. On the Fontemagna Compact, press the power button at the top right of the Touch Control keypad. Refer to *Components Guide on page 5*.

**!** **NOTICE:** Chilling of the ice bank begins immediately when unit is turned on. Complete chilling of ice bank will require 1-3 hours. The machine should not be used as a water dispenser until chilling is complete.

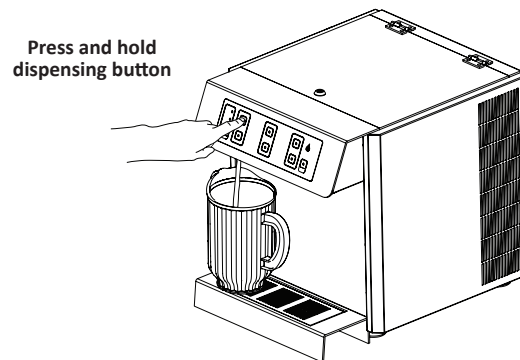
## 7. Purge the water lines.

1. Place receptacle beneath tap to catch dispensed water. Discard water as necessary.

### Blubar Countertop



### Fontemagna Compact



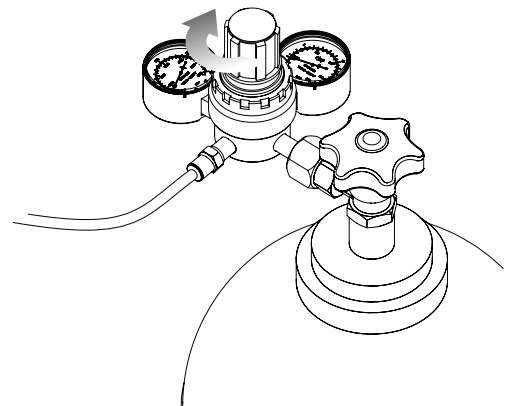
2. Allow water to run continuously until flow is clear of air.
3. Repeat for all taps.



**NOTICE:** The "No/low CO<sub>2</sub>" error LED will flash on the Fontemagna Compact when dispensing begins. This is correct, as the CO<sub>2</sub> connection has not been activated yet. This alarm can be ignored during this step.

## 8. Open the CO<sub>2</sub> valve.

4. Using a screwdriver slowly turn valve screw counterclockwise (left) to open valve.
5. Continue until pressure reads 55 to 60 psi max.



**NOTICE:** The water will flow flat at first, then gradually become more sparkling as the line is purged of still water.



**NOTICE:** If the "No/low CO<sub>2</sub>" error LED on the Fontemagna Compact flashes during this step, there is a problem with the connection to the CO<sub>2</sub> source. Check all components in the gas system before proceeding.

## 10. Allow machine to complete initial chilldown.



**NOTICE:** Complete chilling of ice bank will require 1-3 hours. The machine should not be used as a water dispenser until chilling is complete.

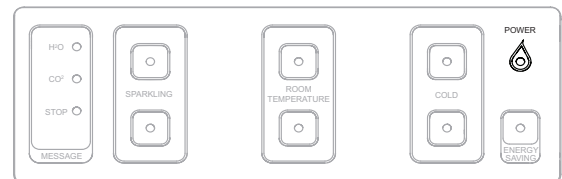
# Operating the Touch Control Keypad

## Fontemagna Compact Only

### To turn on the machine

Press the power button.

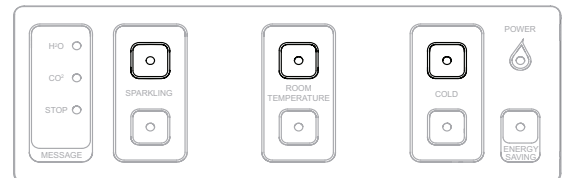
**Note:** The power button and dispensing button LEDs turn on.



### To turn off the machine

Press the power button a second time.

**Note:** The power button and dispensing button LEDs turn off.



### To dispense a small, single serving size of your water selection

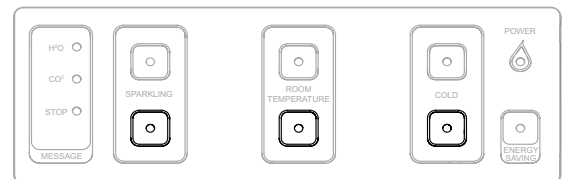
Press the upper button for that dispenser.

**Note:** The button LED turns off while the machine is dispensing.

### To dispense a large serving size of your water selection

Press the lower button for that dispenser.

**Note:** The button LED turns off while the machine is dispensing.



### To stop dispensing before your serving is complete

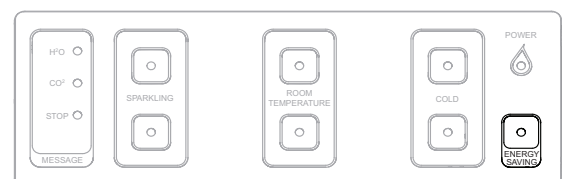
Press the button a second time.

**Note:** The water flow stops and the LED turns on.

### To turn on Energy Saving mode

Press and release the Energy Saving button.

**Note:** The LED on the Energy Saving button turns on and all other LEDs turn off.



**NOTICE:** Energy Saving mode slows down the activation time of the compression. This mode should only be used when the machine will not be operated, such as when the business has closed for the day.

### To turn off Energy Saving mode

Press the Energy Saving button or any of the dispensing buttons.



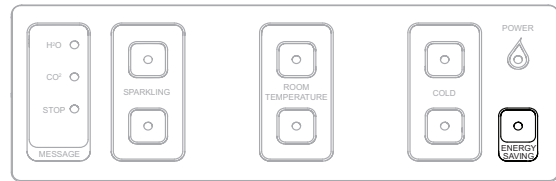
### To turn on Key Lock

Press and hold the Energy Saving button for more than 4 seconds, until the machine beeps once.

**Note:** All of the button LEDs flash.



**NOTICE:** Key lock deactivates all the buttons on the keypad. It should be activated before the keypad is cleaned.



### To turn off Key Lock

Press and hold the Energy Saving button for more than 4 seconds, until the button LEDs stop flashing.

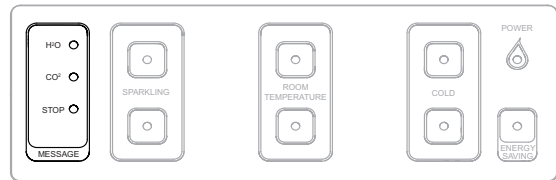
**Note:** All LEDs return to their default appearance.

### To reset an alarm

Turn the machine off, then on again.



**NOTICE:** Alarms indicate a problem with the water, CO<sub>2</sub>, or electrical system of the machine. Do not operate the machine until the problem has been located and fixed.



# Programming the Touch Control Keypad

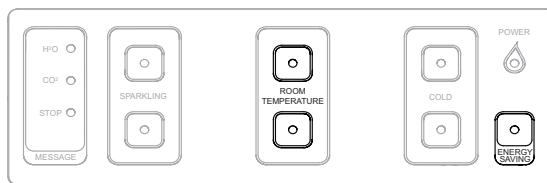
## Fontemagna Compact Only

By default, the Fontemagna Compact dispenses a single 7 oz (0.2 liter) serving when the upper dispensing button is pressed, and a 34 oz (1 liter) serving when the lower dispensing button is pressed. You can change the default serving size by entering Programming Mode.

### To enter programming mode

Press and hold the Energy Saving button, plus the two Room Temperature dispensing buttons, until the machine beeps three times.

**Note:** The LEDs in all dispensing buttons flash to indicate they are ready to be programmed.



### To reset the serving size for a button

1. Place a correctly sized cup or bottle beneath the dispenser.
2. Press the button to start dispensing. Water flows and the LED for that button shuts off.

**NOTICE:** Water will continue to flow until you press the button a second time.

3. When water has reached to desired level, press the button a second time to stop dispensing. The water flow stops and the LED for that buttons turns back on.

**NOTICE:** The maximum serving size you can set is 101 oz (3 liters). This volume would require a 65-second dispensing session.

4. Repeat these steps for any other buttons you wish to reset.

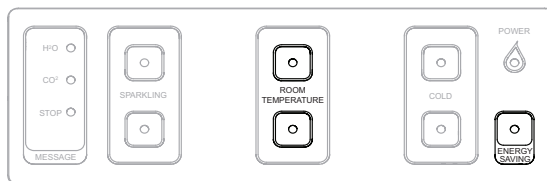
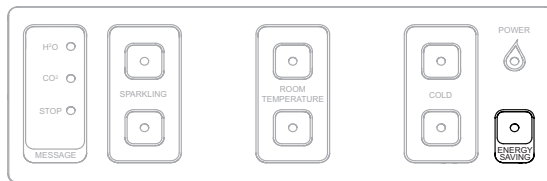
### To reset all buttons to factory defaults while in programming mode

Press the Energy Saving button.

### To exit programming mode

Press and hold the Energy Saving button, plus the two Room Temperature dispensing buttons, until the machine beeps three times.

**Note:** All LEDs return to their default appearance.



# Routine Maintenance

## Daily

- Clean all external surfaces of the machine, the drip tray and the dispensing nozzles.



**NOTICE:** It is recommended that all external components of the product be cleaned daily.

It is recommended that you use dish soap, warm water and a clean, soft cloth to clean the product.

### DO NOT USE THE FOLLOWING PRODUCTS:

**Do not use ...** chlorine bleach solutions on the product. Chlorides found in most soaps, detergents, bleaches and cleaners can attack stainless steel. These products can cause surface-pitting.

**Do not use ...** metal fibers to clean the product. Metal fibers have a tendency to disintegrate and release small metal particles that are embedded in the surface. Metal particles oxidize and give the impression that the surface of the product is rusting.

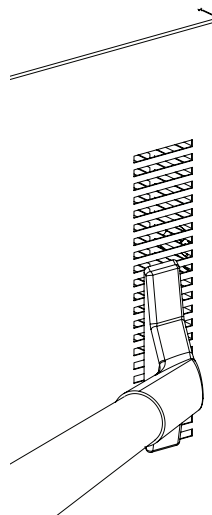
**Do not use ...** abrasive cleaners or abrasive pads, as these will scratch the surface of the product.

**Do not use ...** a water jet.

- The Plexiglas facing on the Blubar Countertop may be cleaned with multi-use cleaners or dedicated glass cleaners.
- To remove limescale, use a slightly acidic product (e.g. citric acid) that has been heavily diluted – excessive acidity may damage the surface of the steel.
- To clean the drip tray, use a diluted limescale cleaner such as citric acid. The drip tray may also be washed in the dishwasher.
- Before cleaning the keypad, turn on Key Lock to prevent accidentally dispensing water. Refer to *To turn on Key Lock* on page 17.

## Weekly

- Use a vacuum to clean out all vents.



## Twice a Year

- Replace the water filter after 3000 gallons or 1 year, or earlier depending on water quality.



**NOTICE:** The filter head has an internal shutoff valve that stops the flow of water when the filter is removed. It is not necessary to shut off the water supply.

1. Turn used filter counterclockwise (to the left) 1/4 turn to remove from filter head. Pull filter away from head and remove.
2. Remove the cap from the new filter. Place the cap on the used filter to seal it.
3. Insert the new filter into the filter head and turn the filter clockwise (to the right) until it stops.
4. Place a receptacle under the still water dispenser and dispense continuously for a minimum of two gallons to purge air and fine carbon particles from filter.

- Sanitize the machine



**NOTICE:** This operation must be carried out by your ELKAY reseller or by a qualified technician.

## When required

- Replace the UV lamp (*Fontemagna Compact only*)



**CAUTION:** The light emitted by the ultra-violet lamp may cause serious burns to the eyes and skin. Disconnect the electrical source of supply of the UV radiation before opening the machine.

1. Disconnect the unit from its electrical source.
2. Once the unit is shut down, open the top panel with the key provided in the kit.
3. Loosen the screws of each dispensing valve in order to remove the UV lamps from their dedicated slot. Disconnect the electrical connector of the UV OUT lamp. Pull the lamp removing it from its fitting holder — handling it carefully.
4. Insert the new lamp and reconnect the connector — handling it carefully.
5. Repeat the procedure for all the dispensing valves.
6. The used UV lamps can be disposed at your local waste management site.



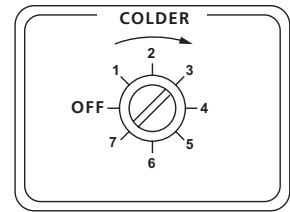
**NOTICE:** This operation must be carried out by your ELKAY reseller or by a qualified technician.



**NOTICE:** For the replacement of UV OUT pipe is not necessary to turn water off.

• Set the thermostat

1. Set the thermostat between 5 and 6 to control the temperature of the ice bank.
2. If you want to avoid the formation of ice in the bank, turn the thermostat screw located on the back side of the machine at least 1/4 anti-clockwise.



# Troubleshooting

Problem	Possible Cause	Action To Take
No water dispense	The main water valve is closed	Open the valve
	The power switch is set to OFF	Set the power switch to ON
	Malfunction in the ribbon cable connection/ spade connectors ( <i>Compact and Bridge only</i> )	Repair connection to main circuit board
	The water inlet solenoid is not working	Bypass the solenoid and replace it
	The ice bank is frozen	Defrost the ice bank Reduce the thermostat setting
	The low voltage transformer is not working	Replace the transformer

Problem	Possible Cause	Action To Take
Low flow dispense	The filter is clogged	Replace the filter
	The main water valve is not fully opened	Open the valve
	The flow control valve is not fully opened (sparkling water only)	Open the valve
	The CO <sub>2</sub> cylinder is empty (sparkling water only)	Replace the cylinder

Problem	Possible Cause	Action To Take
Sparkling water doesn't come out	The CO <sub>2</sub> cylinder is empty	Replace the cylinder
	The pump is not working	Force the pump to start Replace the pump if broken
	The solenoid is not working	Repair or replace the solenoid
	The flow control valve is too tight	Open the valve

Problem	Possible Cause	Action To Take
Water is not cold enough	The ice bank is empty	Fill the ice bank with water
	The thermostat is not adjusted properly	Adjust the thermostat
	The condenser is dirty	Clean the condenser
	The fan is not working	Replace the fan
	Cold or not warm enough air is blowing through the condenser	Check for faulty compressor or gas leak on the refrigerant circuit and repair
	Malfunction in the over temperature switch/ relay	Switch the machine off and wait 5 minute for restart Replace if broken
	The compressor is not working	Replace the compressor
	Leak in the refrigeration system	Refrigeration system requires repair or replacement

Problem	Possible Cause	Action To Take
Poor sparkling water quality	Incorrect air gap in the carbonator	Close the CO <sub>2</sub> cylinder valve, pull up the ring on safety valve (on the carbonator bowl head) until all air gap is out
	Use of rinse aid or highly polished glass	Avoid excessive use of rinse aid
	The CO <sub>2</sub> regulator is set low	Set the CO <sub>2</sub> regulator between 55-60 psi (3.5-4 bar)
	Water is not cold enough	Set the thermostat properly
	The incoming water pressure is too high	Install an inlet water pressure reducer (included)
	The carbonator bowl is filled by the inlet high water pressure and not by the pump	Install an inlet water pressure reducer (included)
	Incorrect inlet pressure	Install an inlet water pressure reducer (included)

Problem	Possible Cause	Action To Take
Volumetric is not working	The dip switch is not in proper position	Set the dip switch
	The flow meter is not working (orange led flashing)	Replace the flow meter
	The touch pad/button is not working	Check the power supply Replace if broken

Problem	Possible Cause	Action To Take
Yellow (no CO <sub>2</sub> ) alarm on	The CO <sub>2</sub> cylinder is empty	Replace the cylinder
	The CO <sub>2</sub> valve is closed	Open the valve
	The seal is leaking	Tighten regulator connection at CO <sub>2</sub> tank Replace seal
	The CO <sub>2</sub> exit pressure lower than 36 psi (2.5 bar)	Set the pressure between 55-60 psi (3.5-4 bar)
	A reset is needed	Turn the machine off and back on

Problem	Possible Cause	Action To Take
Red (no water) alarm on	The pump runs for 4 minutes continuously	Check why the water is not entering the unit and fix it
	The water valve is closed	Open the valve
	The filter is clogged	Replace the filter
	The main inlet water valve is closed	Open the valve
	The water inlet solenoid is not working ( <i>Compact only</i> )	Look for disconnected or loose wires Replace the solenoid
	The ice bank is frozen	Defrost the ice bank

Problem	Possible Cause	Action To Take
Dripping water	The solenoid is dirty	Open the solenoid and clean it, use diluted solution for removal of mineral and calcium buildup Replace the solenoid
	There's sparkling water still in the nozzle	Clean the nozzle

Problem	Possible Cause	Action To Take
Noise/Vibration	The ice bank is empty	Fill the ice bank
	The agitator or the pump is not covered by water	Fill the ice bank
	The copper tubing is vibrating against the cabinet	Fix the position of the the tubing
	The fan is dirty	Clean or replace it

## Contacting Customer Support

Elkay Manufacturing Company  
1333 Butterfield Road  
Suite 200  
Downers Grove, IL 60515  
800.476.4106



**REPLACEMENT PARTS**

**ELKAY - BLUPURA REPLACEMENT PARTS**

Carbonation Chiller DSFBF180K	Fontemagna Compact DSFCF180UVK	Blubar Countertop DSBCF180K	Fontemagna Bridge DSFB1UVK	Part Number	Product Name	Description
X	X	X		1000002622	Motor Fan 120x120x25	Motor Fan for the Carbonation Chiller, Fontemagna Compact, and Blubar Countertop models
X	X	X		1000002623	Booster Pump	Booster Pump for the Carbonation Chiller, Fontemagna Compact, and Blubar Countertop models
X		X		1000002624	Level Control	Level Control for the Carbonation Chiller and Blubar Countertop models
X	X	X		1000002625	General Power Switch	Power Switch for the Carbonation Chiller, Fontemagna Compact, and Blubar Countertop models
X	X	X		1000002626	Ice Bank Thermostat	Ice Bank Thermostat for the Carbonation Chiller, Fontemagna Compact, and Blubar Countertop models
X		X		1000002627	Feet 4MA	Feet for the Carbonation Chiller and Blubar Countertop models
	X			1000002628	Feet 10MA	Feet for the Fontemagna Compact model
X	X	X		1000002629	Submerged Agitator Pump	Submerged Agitator Pump for the Carbonation Chiller, Fontemagna Compact, and Blubar Countertop models
	X		X	1000002630	Flow Control	Flow Control for the Fontemagna Compact and Fontemagna Bridge models
	X			1000002631	Inlet Solenoid Valve	Inlet Solenoid Valve for the Fontemagna Compact model
	X			1000002632	Inlet Solenoid Connector	Inlet Solenoid Connector for the Fontemagna Compact model
	X		X	1000002633	Exit Solenoid Valve	Exit Solenoid Valve for the Fontemagna Compact and Fontemagna Bridge models
	X		X	1000002634	Stainless Steel Nozzle	Stainless Steel Nozzle for the Fontemagna Compact and Fontemagna Bridge models
	X		X	1000002635	Transformer 110-24	Transformer for the Fontemagna Compact and Fontemagna Bridge models
	X			1000002636	Lock with 2 Keys	Lock and Keys for the Fontemagna Compact model
	X		X	1000002637	UV OUT Pipe	UV Out Pipe for the Fontemagna Compact and Fontemagna Bridge models
	X		X	1000002638	UV OUT Inverter	UV Out Inverter for the Fontemagna Compact and Fontemagna Bridge models
		X		1000002639	Stainless Steel Mechanical Tap	Stainless Steel Mechanical Tap for the Blubar Countertop model
		X		1000002640	Blue LED Inverter	Blue LED Inverter for the Blubar Countertop model
	X		X	1000002641	Touch Board	Touch Board for the Fontemagna Compact and Fontemagna Bridge models
	X		X	1000002642	Main PCB	Main PCB for the Fontemagna Compact and Fontemagna Bridge models
	X			1000002693	Drip Tray - Fontemagna Compact	Drip Tray Grid for the Fontemagna Compact model
	X			1000002694	Drip Tray - Fontemagna Compact	Drip Tray for the Fontemagna Compact model
		X		1000002695	Drip Tray - Blubar Countertop	Drip Tray for the Blubar Countertop model
		X		1000002696	Drip Tray Grid - Blubar Countertop	Drip Tray Grid for the Blubar Countertop model
			X	1000002697	Drip Tray - Fontemagna Compact	Drip Tray for the Fontemagna Bridge model
			X	1000002698	Drip Tray Grid - Fontemagna Bridge	Drip Tray Grid for the Fontemagna Bridge model
X	X	X		1000002699	Carbonator - Fontemagna Bridge	Carbonator for the Fontemagna Bridge model
	X	X	X	1000002700	Flow Control	Flow Control for the Elkay by Blupura models
	X		X	1000002701	Volumetric Control	Volumetric Control for the Elkay by Blupura models

Item No: \_\_\_\_\_ Qty. \_\_\_\_\_  
 Model No: \_\_\_\_\_  
 Project No: \_\_\_\_\_

*In keeping with our policy of continuing product improvement, Elkay reserves the right to change product specifications without notice.*

*This specification describes an Elkay product with design, quality and functional benefits to the user. When making a comparison of other producers' offerings, be certain these features are not overlooked.*

Elkay  
 1333 Butterfield Road  
 Suite 200  
 Downers Grove, IL 60515  
 Phone: 800.476.4106

elkay.com  
 © 2015 Elkay Manufacturing Company