

- ||| KOV-EL-MON-S EasyLift Monitor Arm (Single)
- ||| KOV-EL-MON-D EasyLift Monitor Arm (Dual)



||| EASYLIFT™ MONITOR ARM

The EasyLift Monitor Arm is a great companion for the Goldtouch EasyLift Desktop Sit/Stand Desk. It enhances the viewing display of computer monitors, laptops, or tablet devices by bringing them up to an appropriate viewing distance and height.

The EasyLift Arm can accommodate screen weights up to 20 lbs. The monitor arm comes in either Single or Dual models and easily attaches to the underside of the desk via a mounted post. VESA Monitor Adapters are included (1 or 2 dependant on the model you choose). Additionally, rubber rings will help you to achieve your desired monitor arm height and stability on the attached base.

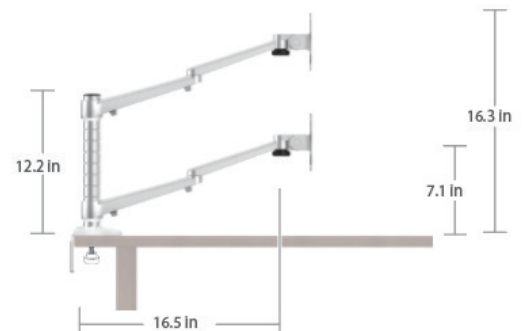


The EasyLift Monitor Arm Dual Attachment



||| FEATURES AND BENEFITS

- **Design:** Durable and lightweight aluminum construction.
- **Adjustable:** +90°/-80° pallet tilt adjustment, 180° pallet level adjustment, 360° cantilever adjustment.
- **Strong:** Each Monitor Arm can hold up to a 20 lb. monitor.
- **Versatile Monitors:** The EasyLift Desk accommodates up to 3 EasyLift Monitor Arms, so different configurations are possible depending on requirements.
- **Easy Assembly:** Includes all tools necessary to make assembly a breeze.



Each EasyLift Monitor Arm is adjustable and holds up to a 27" LCD/TV monitor .