

Orientalmotor

ORIENTAL MOTOR U.S.A. Corp.
570 Alaska Avenue
Torrance, CA 90503
1-800-GO-VEXTA (468-3982)

Item # USP425-2E2, AC Speed Controller



Updated product is available. Please contact your local sales office for more information.

Web Price

\$108.00

Specifications | Dimensions | Connection

Specifications

Available to Ship¹

Contact your local sales office for product lead-times, available to ship dates and shipping methods.

Power Supply

Single-Phase 200-230 VAC

RoHS Compliant

Yes

Safety Standards

UL
CSA
CCC
EN
CE

Dimensions

Dimensions Unit = mm (in.)

◇ Control Unit

Common to **US206**, **US315**, **US425** and **US540** Types

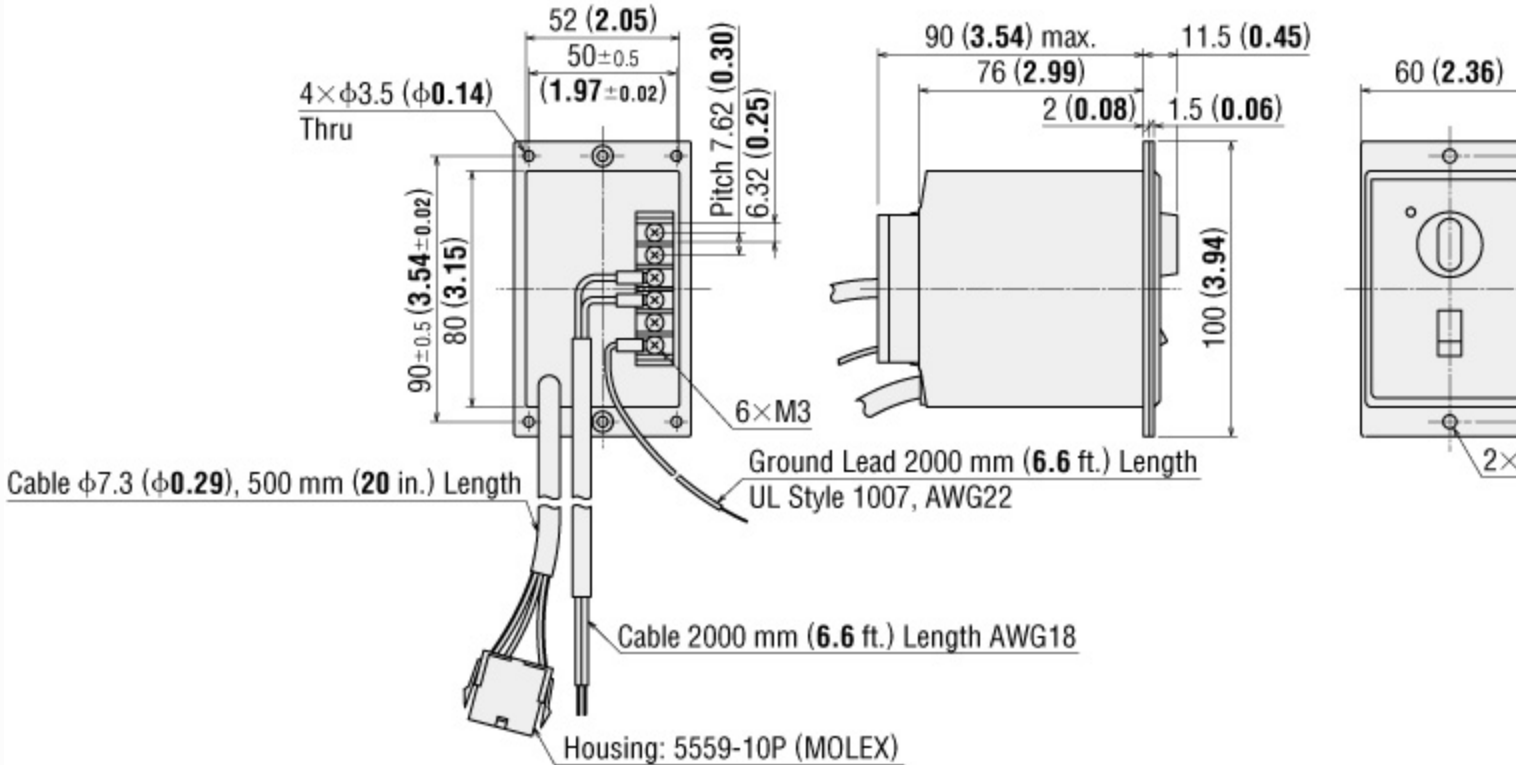
USP206-1U2/USP206-2E2

USP315-1U2/USP315-2E2

USP425-1U2/USP425-2E2

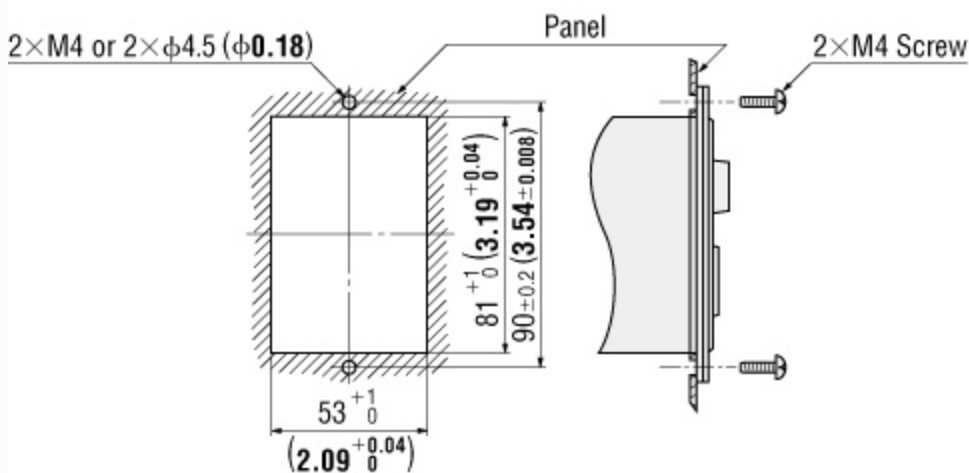
USP540-1U2/USP540-2E2

Mass: 0.45 kg (0.99 lb.)



◇ Panel Cut-Out for Control Unit

Installation Method by Cutting a Square Hole



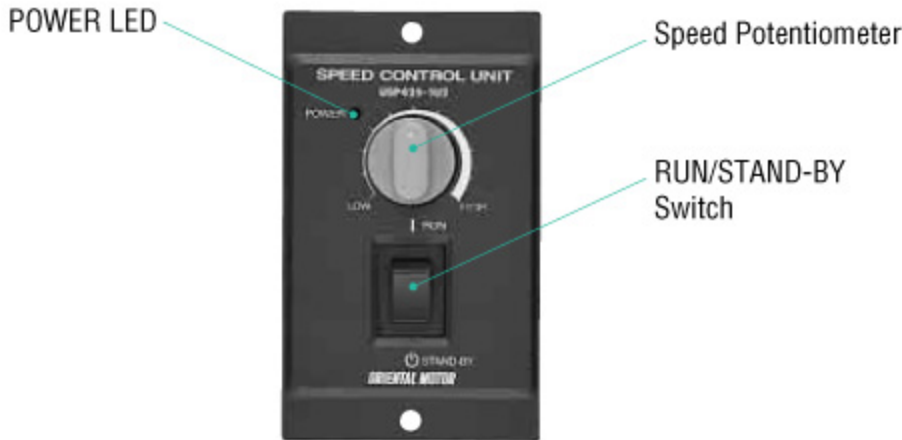
nbsp;



Connection and Operation

Names and Functions of Speed Control Unit Parts

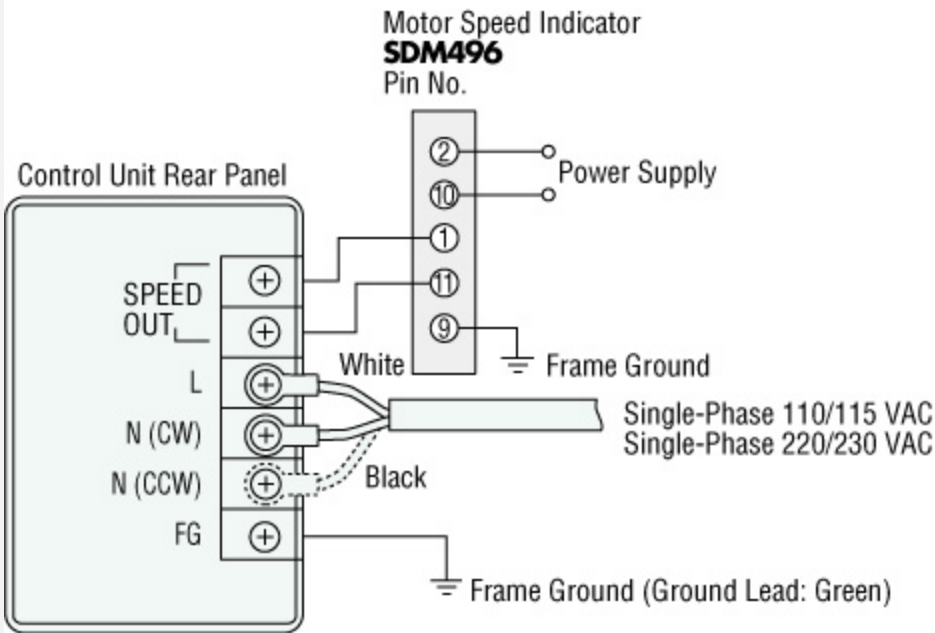
Control Unit Front Panel



Connection Diagrams

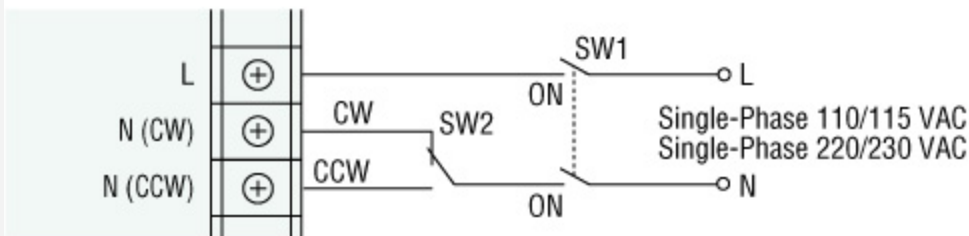
◇ **US206, US315, US425 and US540** Types

Uni-Directional Rotation:



● In the diagrams above, the motor shaft rotates in the clockwise direction. When changed to the dotted line [N (CCW)] position, the motor shaft rotates in the counterclockwise direction.

Bi-Directional Rotation:



Contact Capacity of Switch
250 VAC 5 A min. (Inductive load)

¹ Quoted Ship Date for orders placed before 12:00 pm PST. Quantities may affect Shipping Date.

©2017 - ORIENTAL MOTOR U.S.A. Corp. - All rights reserved.

Site Search...

