

PRODUCT SPECIFICATIONS

Fontemagna Compact Countertop Water Dispenser 20 GPH Filtered Stainless Steel. Electronic touch pad controls.

Material:	Stainless Steel
Dimensions (L x W x H):	18" x 23" x 20"
Approx. Shipping Weight:	117 lbs.
Refrigerant Gas:	R134a
Condensation Control:	Forced ventilation (fan)
Inlet Water Line:	3/8", PE plastic tubing
Working Room Temperature:	Min 41° F – Max 107° F
*Based on 68° F inlet water & 77° F ambient air temp for 50° F chilled drinking water.	

- Filter is certified to NSF 42 and 53 for lead, particulate, chlorine, taste, and odor reduction.
- CO₂ and H₂O display alarms.
- Internal ice bank and adjustable thermostat.
- Drip tray included: no drain line required.
- Customizable portion control presets at 7 oz. and 34 oz.

INSTALLATION KIT

- Installation and Operating instructions
- CO₂ Regulator
- Water Pressure Regulator
- Elkay WaterSentry® Filter and Mounting Bracket
- Additional tubing for connection to water and CO₂
- Requires fittings for connection to water supply



A Century of Tradition and Quality. For more than 100 years, Elkay has been making innovative products and providing exceptional customer care. We take pride in offering plumbing products that make life easier, inspire change and leave the world a better place.

Included with Product: Installation Kit

▼ Ships in multiple boxes.

PRODUCT COMPLIANCE

CAN/CSA C22.2 No. 120

NSF/ANSI 42 & 53

UL 399



[Installation Instructions \(PDF\) - 1000002474](#)

[Warranty \(PDF\)](#)

PART: _____ QTY: _____

PROJECT: _____

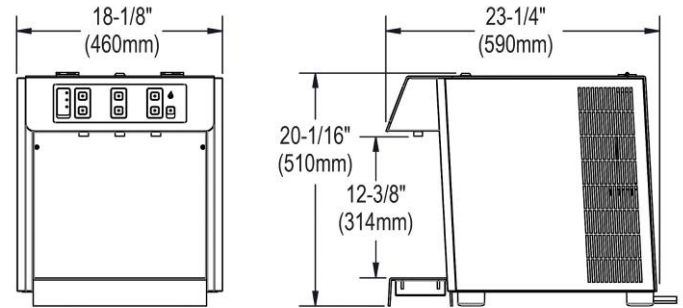
CONTACT: _____

DATE: _____

NOTES: _____

APPROVAL: _____

In keeping with our policy of continuing product improvement, Elkay reserves the right to change product specifications without notice. Please visit elkay.com for the most current version of Elkay product specification sheets. This specification describes an Elkay product with design, quality, and functional benefits to the user. When making a comparison of other producers' offerings, be certain these features are not overlooked.



Optional Accessories		
51300C	Elkay WaterSentry Replacement Filter (Bottle Fillers & Liv Pro) Spec Sheet (PDF)	

In keeping with our policy of continuing product improvement, Elkay reserves the right to change product specifications without notice. Please visit elkay.com for the most current version of Elkay product specification sheets. This specification describes an Elkay product with design, quality, and functional benefits to the user. When making a comparison of other producers' offerings, be certain these features are not overlooked.